

Model ECXA25

5" - 14 gauge spun aluminum ball gold anodized.

Single sheave, cast aluminum revolving truck (see detail).

1 Set of halyard, #10 poly

2 Bronze swivel snaps with covers

1 - 9" Cast Aluminum Cleats

Aluminum flash collar

3000 PSI concrete

Hardwood wedges (supplied by others)

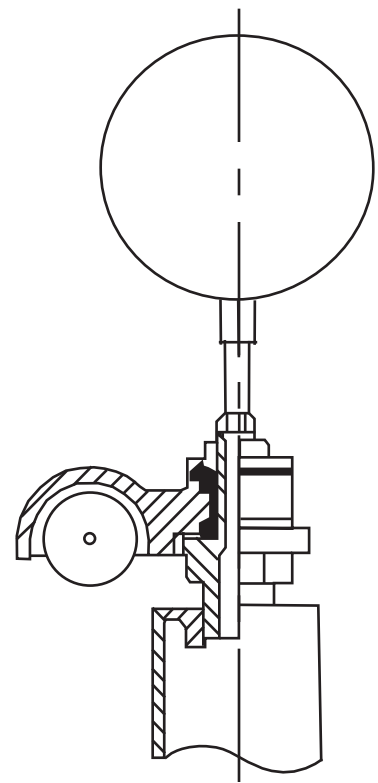
Dry sand tightly tamped after aligning pole

Foundation sleeve -16 ga hot dip galvanized steel

Steel centering wedges

1/4" Steel base plate

1/4" Steel support plate welded to grounding spike



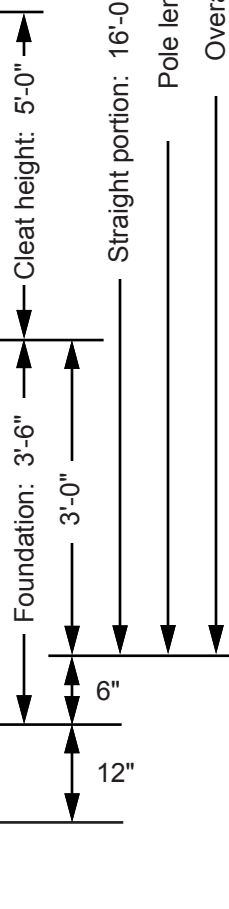
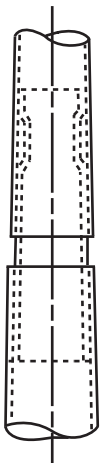
Truck Detail

Cast aluminum construction
 2" OD cast nylon pulley on a 1/4" stainless steel axle
 Self-lubricating ball bearings
 1-1/4" NPT bottom thread
 1/2-13 NC thread for ornament

All shafts with overall length of more than 38'-6" are shipped in two sections.

Each section matched marked for field assembly. Exposed portion of jam sleeve must be **well lubricated** prior to assembly.

1-1/2" maximum shop gap allowed for field fitting (ram for tight joint)



Project:	Ground set tapered aluminum flagpole: ALLOY: 6063T6	FLAGS.COM	Date:
Location:	Exposed height: 25'-0"	Overall height: 28'-0"	1-800-858-8776
Architect:	Ship in 1 section	Butt diameter: 5"	1395 NW 17th Ave #112B
Contractor:	Top diameter: 3"	Wall thickness: .156"	Delray Beach, FL 33445
Customer:	Finish: 100 grit polish		Job: