

Model ECXP20Y

5" - 14 gauge spun aluminum ball
gold anodized

Single sheave truck, cast aluminum
revolving, non-fouling type

2 Bronze swivel snaps with covers
per halyard

3 Sets of halyard: #10 poly

6' - 0" Yardarm

3-1/2"

2"

3 - 9" Cast aluminum cleat

Aluminum flash collar

3000 PSI concrete

Hardwood wedges
(supplied by others)

Dry sand tightly tamped
after aligning pole

Foundation sleeve -16 ga
hot dip galvanized steel

Steel centering wedges

1/4" Steel base plate

1/4" Steel support plate
welded to grounding spike

Cleat height: 5'-0"

Foundation: 3'-6"

3'-0"

6"

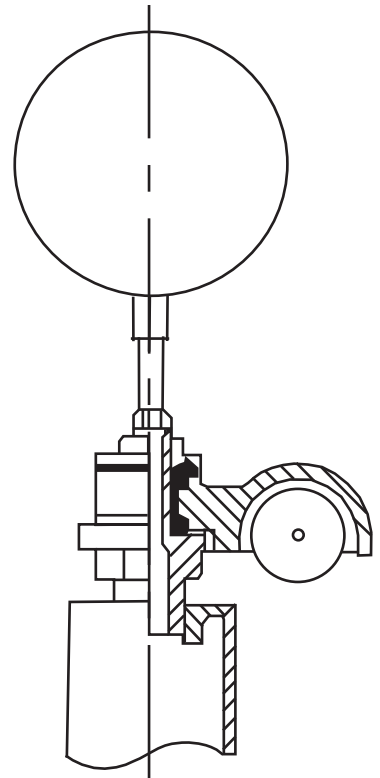
12"

Exposed height: 20'-0"

Overall length: 23'-0"

Straight portion: 11'-4"

Tapered portion: 11'-8"



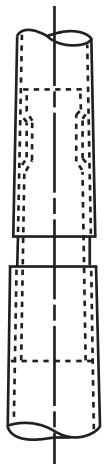
Truck Detail

- Aluminum body
- Stainless steel ball bearings
- Aluminum sheave
- Cast aluminum spindle

All shafts with overall
length of more than
38'-6" are shipped in
two sections.

Each section matched
marked for field assembly.
Exposed portion of jam
sleeve must be **well
lubricated** prior to
assembly.

1-1/2" maximum shop
gap allowed for field
fitting (ram for tight joint)



Project:	Ground set tapered aluminum flagpole: ALLOY: 6063T6	FLAGS.COM	Date:
Location:	Exposed height: 20'-0"	Overall height: 23'-0"	Revision:
Architect:	Ship in 1 section	Butt diameter: 5"	1395 NW 17th Ave #112B
Contractor:	Top diameter: 3"	Wall thickness: .125"	Delray Beach, FL 33445
Customer:	Finish: 100 grit polish		Job: