

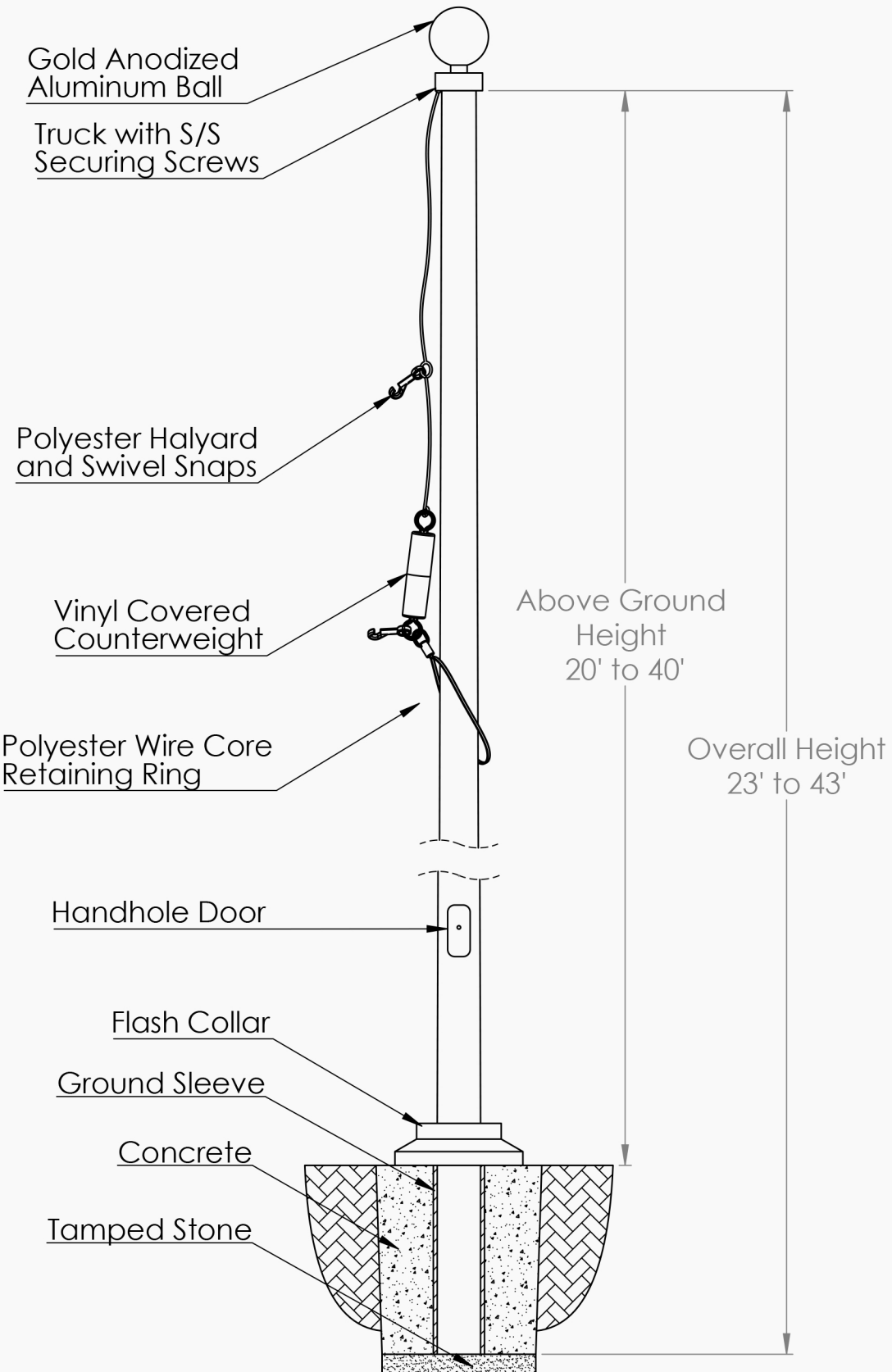
Flagpole Specifications Guide



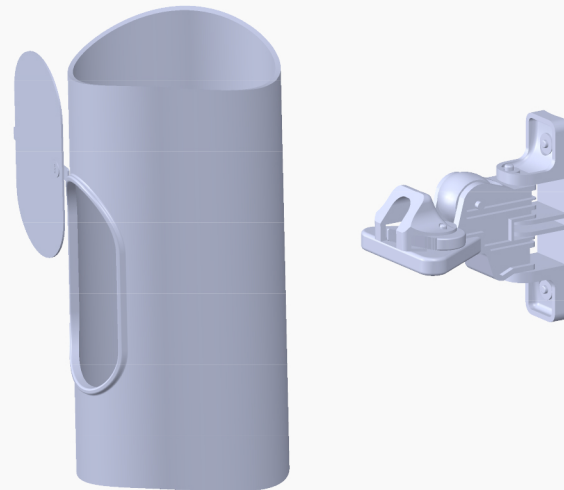
TABLE OF CONTENTS

3	FG20R , FG25R
5	F20X , F25X , F30X , F35X , F40X
7	F50X , F60X , F70X , F80X
9	20I , 25I , 30I , 35I , 40I
11	50I , 60I , 70I , 80I
13	F25Y , F30Y , F35Y , F40Y
15	F50Y , F60Y
17	F25YG , F30YG , F35YG , F40YG
19	F50YG , F60YG

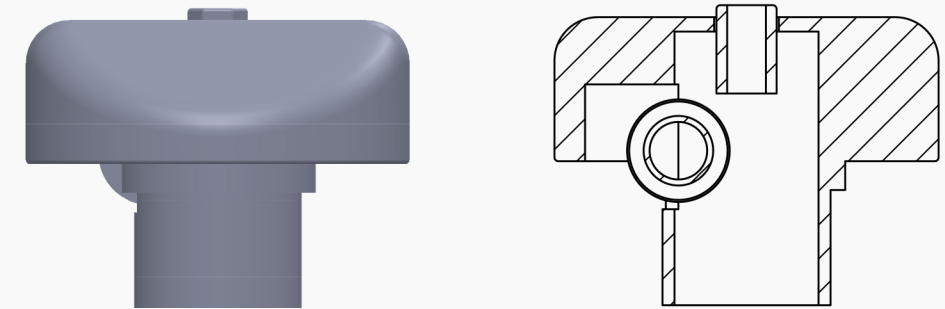
Apollo Series Internal Ground Set SW25I-SW40I



Internal Cam Cleat
and Hand Hole Door



Fiberglass Internal
Stationary Truck



Specifications and Accessories

Model	SW25I	SW30I	SW35I	SW40I
Above Ground Height	25'	30'	35'	40'
Overall Height	28'	33'	39'	44'
Butt Diameter	6"		7.25"	8"
Top Diameter	3"	3"	3"	3"
Pole Weight (lbs)	75	107	167	217
Shipping Weight (lbs)	117	154	224	279
Ground Sleeve I.D.	8"	8"	9"	9"
Ground Sleeve Length	3' x 8"	3' x 8"	4' x 9"	4' x 9"
Gold Anodized Ball	5"	6"	8"	8"
Polyester Halyard	50' of #10	60' of #10	70' of #10	80' of #10
Flash Collar	16"	16"	16"	16"
Truck	F/G	F/G	F/G	F/G
Snaps (Stainless Steel)	1 pair	1 pair	1 pair	1 pair
Standard Flag Size	5'X8'	5'X8'	6'X10'	6'X10'
Retaining Ring	Small	Small	Small	Small
Counterweight	Small	Small	Small	Small
Vinyl Cover	1 pair	1 pair	1 pair	1 pair

Specifications

Provide a Fiberglass Reinforced Composite (FRC) Severe Weather Ground set flagpole Model # **SW 251** as manufactured by PLP Composites, Fitzwilliam, NH 03447.

The flagpole shall have a mounting height of 25' and 3' below grade for an overall length of 28'.

The butt diameter shall be 6" and the top diameter 3". The pole weight shall be approximately 75 lbs. and a total shipping weight of 117 lbs.

The flagpole shall be manufactured of fiberglass woven roving and polyester resin with 75% of the reinforcing fibers oriented in the axial plane for maximum stiffness and 25% in the radial plane for required hoop strength. Load calculations shall be based on AASHTO and NAAMM standards with the pole designed with a two to one (2:1) safety factor for 180 mph winds, unflagged, with a 1.3 gust factor.

The flagpole shall have an Entasis taper and shall be void of vertical mold seams.

The flagpole shall be sanded smooth and coated with a high gloss Aliphatic Polyurea coating system which provides extended UV protection and weatherability.

Internal pole is equipped with a cam cleat, door with security screw, tab, & lock nut at the time of internalizing prior to shipment.

Standard colors include: White, Black, Bronze, Faux-Luminum, and Metallic Bronze

***Cam Cleat, halyard, & doorship pre-installed on the pole*



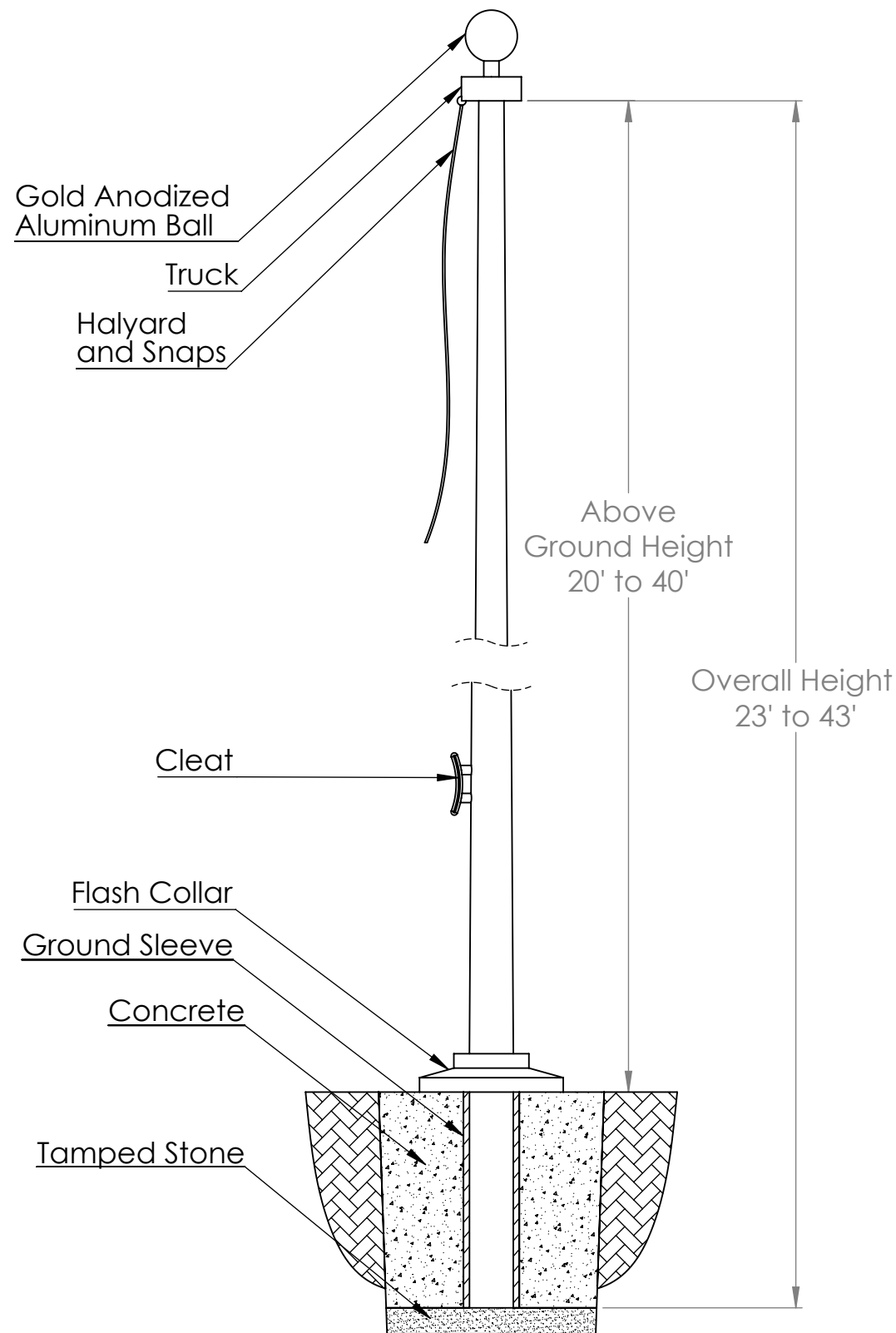
PLP Composites

57 Creamery Road - PO Box 429, Fitzwilliam, NH 03447 - Phone: 800-262-6075 - www.plpcomp.com or www.zeusflagpoles.com - info@plpcomp.com

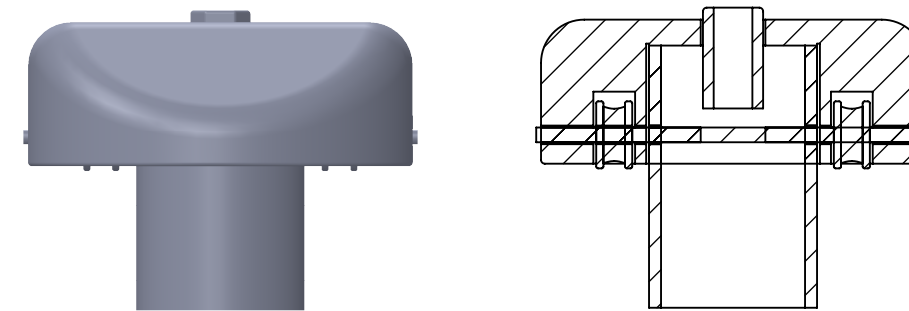
Apollo Series - Model #SW 251	Standard Fittings:		Project:
25' Above Grade Height	5" Gold Anodized Ball	50' of #10 Polyester Halyard	
28' Overall Height	Cast FG Stationary Truck	16" Flash Collar	Location:
Top Diameter - 3"	1 pair of S/S Snaps	Small Retaining Ring	
Butt Diameter - 6"	1 pair of Vinyl Covers	Small Counterweight	Date:
Marine Grade Swivel Cam Cleat	Security Driver	3'x8" Ground Sleeve	



Aeolus Series External Ground Set 20X - 40X



Fiberglass Stationary External Truck



Specifications and Accessories

Model	20X	25X	30X	35X	40X
Above Ground Height	20'	25'	30'	35'	39'
Overall Height	23'	28'	33'	39'	43'
Butt Diameter	5.75"	6"	6.75"	7"	7"
Top Diameter	3"	3"	3"	3"	3"
Pole Weight (lbs)	36	59	77	115	143
Shipping Weight (lbs)	105	113	151	197	219
Ground Sleeve I.D.	8"	8"	8"	8"	8"
Ground Sleeve Length	3'	3'	3'	4'	4'
Cleat	8.5" NY	8.5" NY	8.5" NY	8.5" NY	8.5" NY
Ball Diameter	6"	6"	6"	8"	8"
Halyard	#10	#10	#10	#10	#10
Flash Collar	16"	16"	16"	16"	16"
Truck	F/G	F/G	F/G	F/G	F/G
Snaps	Brass	Brass	Brass	Brass	Brass
Standard Flag Size	4'X6'	4'X6'	5'X8'	5'X8'	6'X10'

Specifications

Provide a Fiberglass Reinforced Composite (FRC) Ground set flagpole Model # **20X** as manufactured by PLP Composites, Fitzwilliam, NH 03447.

The flagpole shall have a mounting height of 20' and 3' below grade for an overall length of 23'.

The butt diameter shall be 5.75" and the top diameter 3". The pole weight shall be approximately 36 lbs. and a total shipping weight of 105 lbs.

The flagpole shall be manufactured of fiberglass woven roving and polyester resin with 75% of the reinforcing fibers oriented in the axial plane for maximum stiffness and 25% in the radial plane for required hoop strength. Load calculations shall be based on AASHTO and NAAMM standards with the pole designed with a two to one (2:1) safety factor for 125 mph winds, unflagged, with a 1.3 gust factor.

The flagpole shall have an Entasis taper and shall be void of vertical mold seams.

The flagpole shall be sanded smooth and coated with a high gloss Aliphatic Polyurea coating system which provides extended UV protection and weatherability.

Standard colors include: White, Black, Bronze, Faux-Luminum, & Metallic Bronze

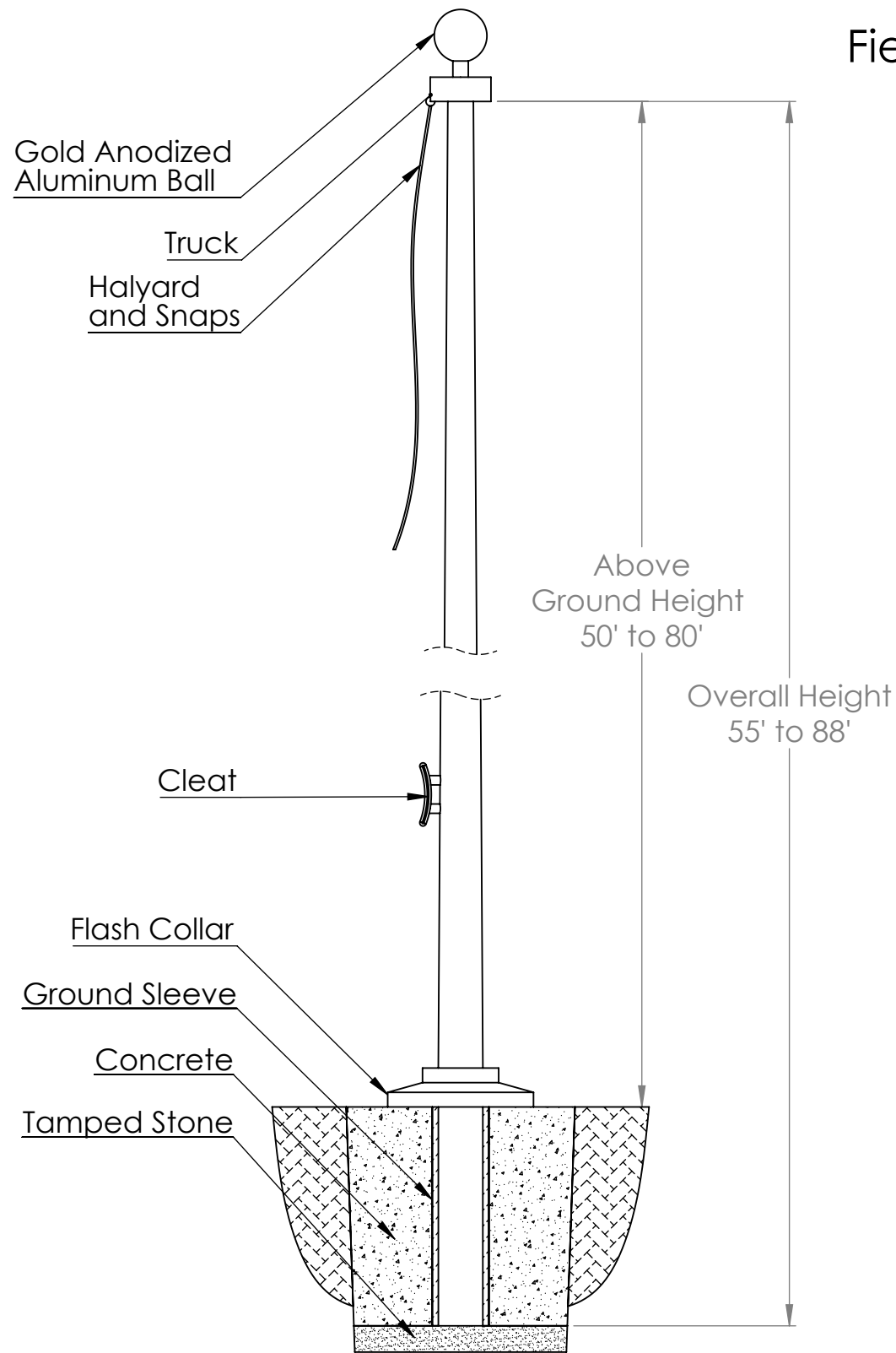


Aeolus Series - Model #20X	Standard Fittings:		Project:
20' Above Grade Height	6" Gold Anodized Ball	40' of #10 Polyester Halyard	
23' Overall Height	Cast FG Stationary Truck	16" Flash Collar	Location:
Top Diameter - 3"	1 pair of Brass Snaps	8.5" Nylon Cleat	
Butt Diameter - 5.75"	1 pair of vinyl covers	3'x8" Ground Sleeve	Date:

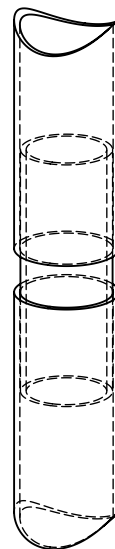
PLP Composites

57 Creamery Road - PO Box 429, Fitzwilliam, NH 03447 - Phone: 800-262-6075 - www.plpcomp.com or www.zeusflagpoles.com - info@plpcomp.com

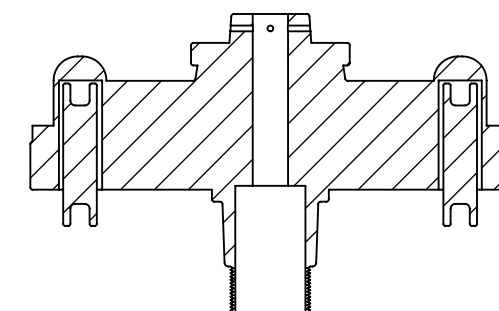
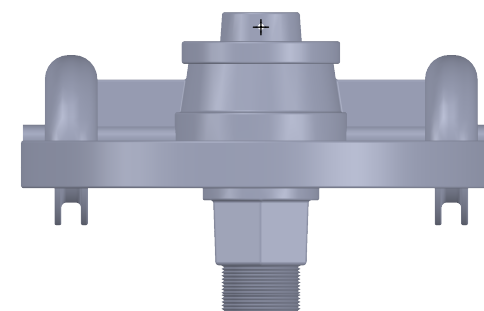
Aeolus Series External Ground Set 50X - 80X



Field Splice Detail
(not to scale)



Aluminum Revolving
External Truck



Specifications and Accessories

Model	50X	60X	70X	80X
Above Ground Height	50'	60'	70'	80'
Overall Height	55'	66'	77'	88'
Butt Diameter	10"	10.5"	16"	16.5"
Top Diameter	4.5"	4.5"	7"	7"
Pole Weight (lbs)	325	480	807	1108
Shipping Weight (lbs)	559	783	1336	1648
Ground Sleeve I.D.	14"	14"	21"	21"
Ground Sleeve Length	5'	6'	7'	8'
Cleat	10" AL	10" AL	10" AL	10" AL
Ball Diameter	10"	10"	12"	12"
Halyard	#12	#12	#12	#12
Flash Collar	23"	23"	30"	30"
Truck	AL-Rev	AL-Rev	AL-Rev	AL-Rev
Snaps	S/S	S/S	S/S	S/S
Standard Flag Size	8'X12'	10'X15'	12'X18'	12'X18'

Specifications

Provide a Fiberglass Reinforced Composite (FRC) Ground set flagpole Model # **50X** as manufactured by PLP Composites, Fitzwilliam, NH 03447.

The flagpole shall have a mounting height of 50' and 5' below grade for an overall length of 55'.

The butt diameter shall be 10" and the top diameter 4.5". The pole weight shall be approximately 325 lbs. and a total shipping weight of 559 lbs.

The flagpole shall be manufactured of fiberglass woven roving and polyester resin with 75% of the reinforcing fibers oriented in the axial plane for maximum stiffness and 25% in the radial plane for required hoop strength. Load calculations shall be based on AASHTO and NAAMM standards with the pole designed with a two to one (2:1) safety factor for 125 mph, unflagged windspeed, with a 1.3 gust factor.

The flagpole shall have an Entasis taper and shall be void of vertical mold seams.

The flagpole shall be sanded smooth and coated with a high gloss Aliphatic Polyurea coating system which provides extended UV protection and weatherability.

Standard colors include: White, Black, Bronze, Faux-Luminum, & Metallic Bronze

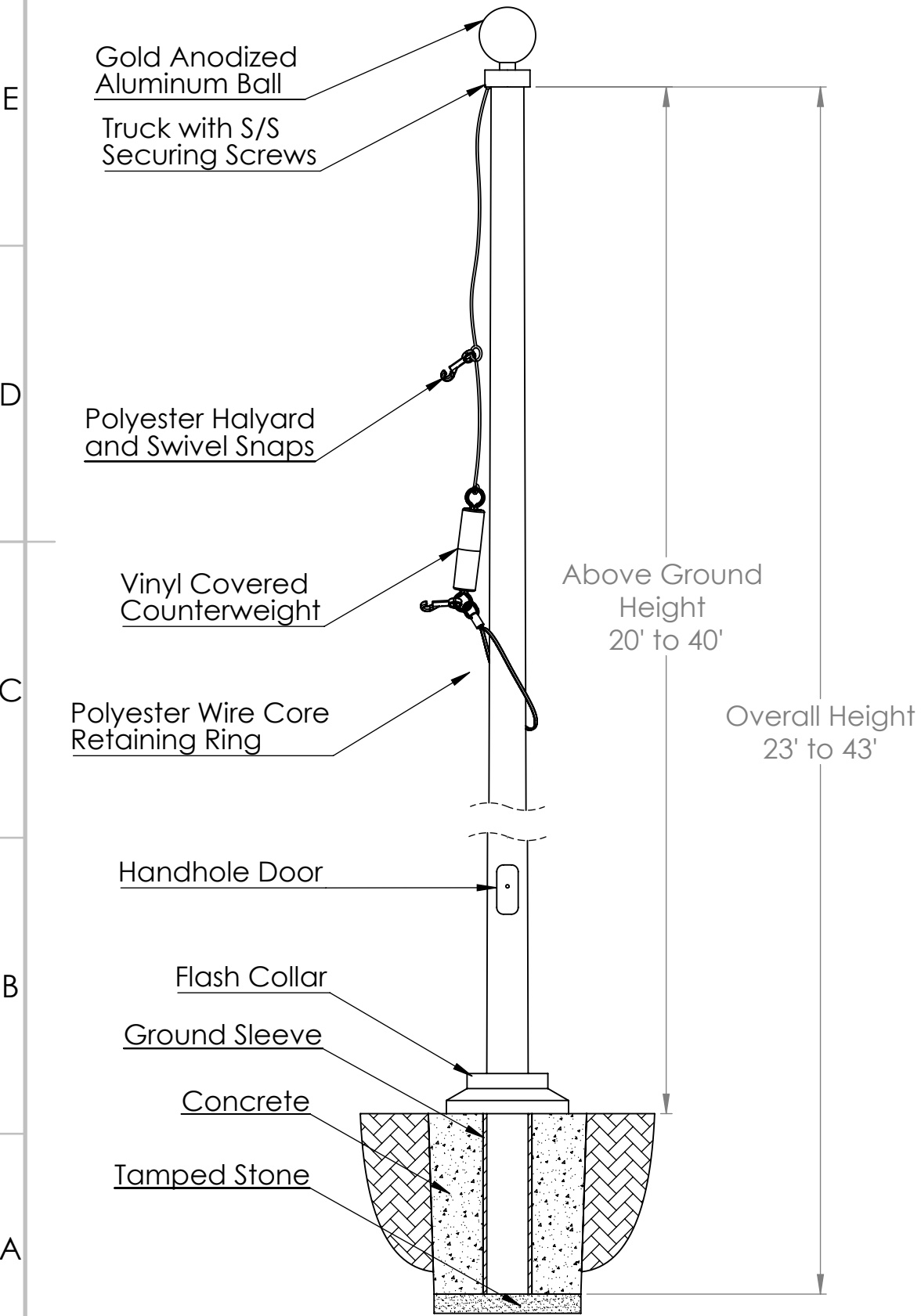


PLP Composites

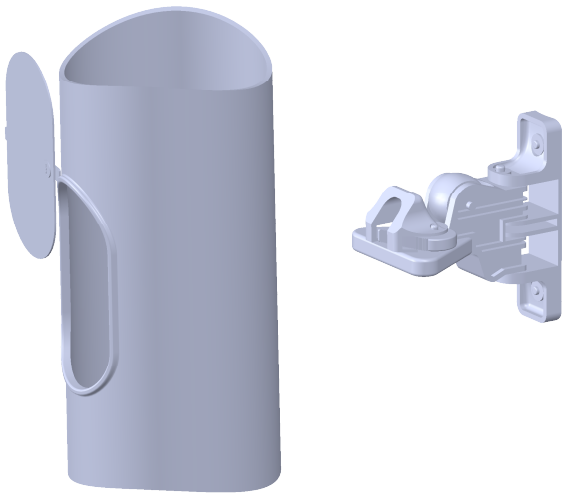
57 Creamery Road - PO Box 429, Fitzwilliam, NH 03447 - Phone: 800-262-6075 - www.plpcomp.com or www.zeusflagpoles.com - info@plpcomp.com

Aeolus Series - Model #50X	Standard Fittings:		Project:
50' Above Grade Height	10" Gold Anodized Ball	100' of #12 Polyester Halyard	
55' Overall Height	Aluminum Revolving Truck	23" Flash Collar	Location:
Top Diameter - 4.5"	1 pair of S/S Snaps	8" Aluminum Cleat	
Butt Diameter - 10"	1 pair of vinyl covers	5'x14" Ground Sleeve	Date:

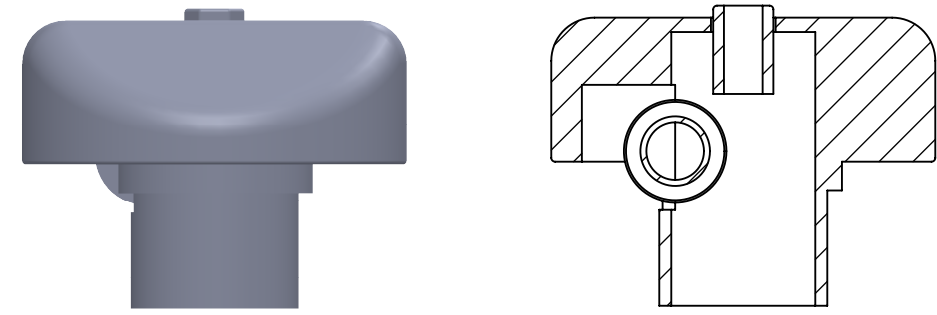
Aeolus Series Internal Ground Set 20I-40I



Internal Cam Cleat and Hand Hole Door



Fiberglass Internal Stationary Truck



Specifications and Accessories

Model	20I	25I	30I	35I	40I
Above Ground Height	20'	25'	30'	35'	39'
Overall Height	23'	28'	33'	39'	43'
Butt Diameter	5.75"	6"	6.75"	7"	7"
Top Diameter	3"	3"	3"	3"	3"
Pole Weight (lbs)	36	59	77	115	137
Shipping Weight (lbs)	105	113	151	197	219
Ground Sleeve I.D.	8"	8"	8"	8"	8"
Ground Sleeve Length	3'	3'	3'	4'	4'
Ball Diameter	6"	6"	6"	8"	8"
Halyard	#10	#10	#10	#10	#10
Flash Collar	16"	16"	16"	16"	16"
Truck	F/G	F/G	F/G	F/G	F/G
Snaps	Brass	Brass	Brass	Brass	Brass
Standard Flag Size	4'X6'	4'X6'	5'X8'	5'X8'	6'X10'

Specifications

Provide a Fiberglass Reinforced Composite (FRC) Ground set flagpole Model # **20I** as manufactured by PLP Composites, Fitzwilliam, NH 03447.

The flagpole shall have a mounting height of 20' and 3' below grade for an overall length of 23'.

The butt diameter shall be 5.75" and the top diameter 3". The pole weight shall be approximately 36 lbs. and a total shipping weight of 105 lbs.

The flagpole shall be manufactured of fiberglass woven roving and polyester resin with 75% of the reinforcing fibers oriented in the axial plane for maximum stiffness and 25% in the radial plane for required hoop strength. Load calculations shall be based on AASHTO and NAAMM standards with the pole designed with a two to one (2:1) safety factor for 125 mph winds, unflagged, with a 1.3 gust factor.

The flagpole shall have an Entasis taper and shall be void of vertical mold seams.

The flagpole shall be sanded smooth and coated with a high gloss Aliphatic Polyurea coating system which provides extended UV protection and weatherability.

Internal pole is equipped with a cam cleat, door with security screw, tab, & lock nut at the time of internalizing, prior to shipment.

Standard colors include: White, Black, Bronze, Faux-Luminum, and Metallic Bronze

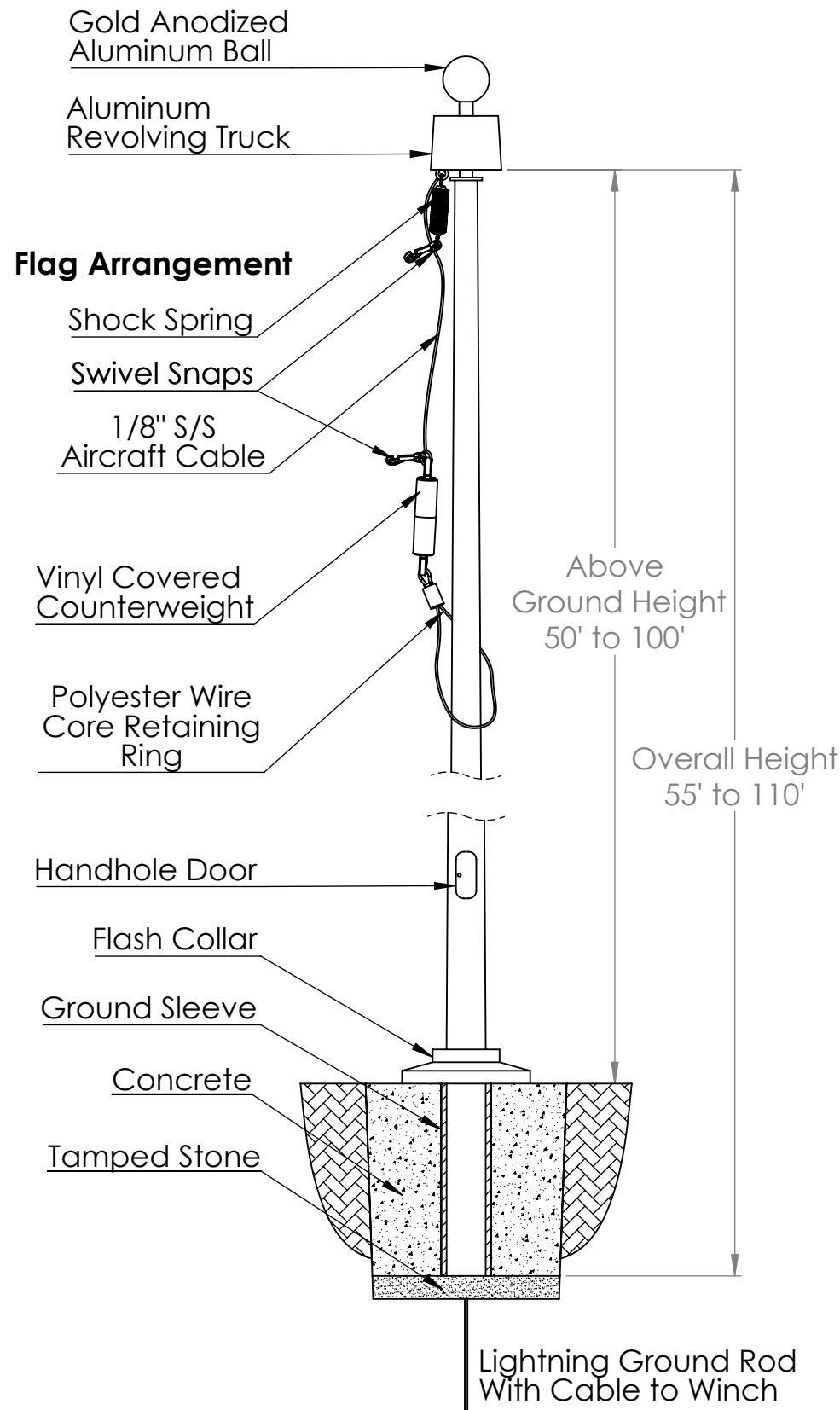


Aeolus Series - Model #20I	Standard Fittings:		Project:
20' Above Grade Height	6" Gold Anodized Ball	40' of #10 Polyester Halyard	
23' Overall Height	Cast FG Stationary Truck	16" Flash Collar	Location:
Top Diameter - 3"	1 pair of Brass Snaps	Small Retaining Ring	
Butt Diameter - 5.75"	1 pair of Vinyl Covers	Small Counterweight	Date:
	Security Driver	3'x 8" Ground Sleeve	

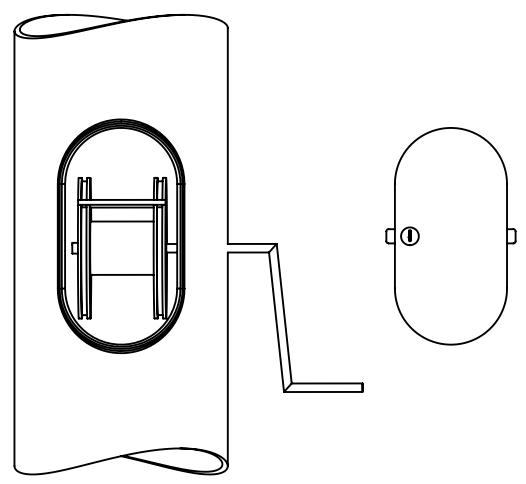
PLP Composites

57 Creamery Road - PO Box 429, Fitzwilliam, NH 03447 - Phone: 800-262-6075 - www.plpcomp.com or www.zeusflagpoles.com - info@plpcomp.com

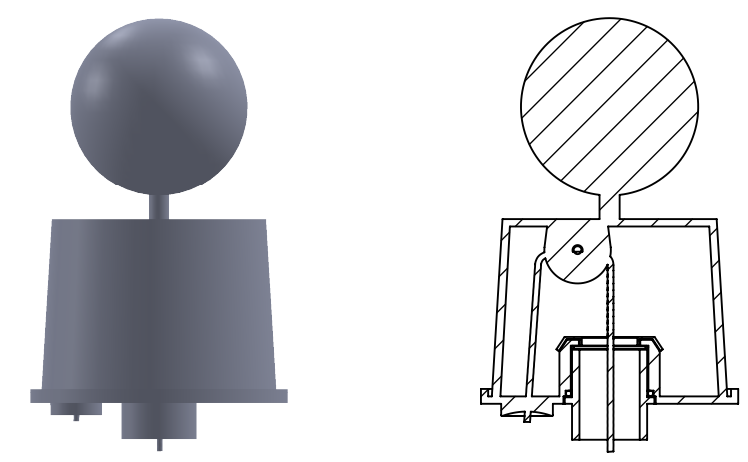
Aeolus Series Internal Ground Set 50I-100I



Internal Winch and Handhole Door



Aluminum Revolving Truck



Specifications and Accessories

Model	50I	60I	70I	80I	90I	100I
Above Ground Height	50'	60'	70'	80'	90'	100'
Overall Height	55'	66'	77'	88'	99'	110'
Butt Diameter	10"	10.5"	16"	16.5"	17"	17.5"
Top Diameter	4.5"	4.5"	7"	7"	7"	7"
Pole Weight (lbs)	325	480	807	1108	1637	2086
Shipping Weight (lbs)	577	776	1336	1648	2315	2830
Ground Sleeve I.D.	14"	14"	21"	21"	21"	21"
Ground Sleeve Length	5'	6'	7'	8"	9"	10'
Ball Diameter	10"	10"	12"	12"	12"	12"
Halyard	S/S Cable	S/S Cable	S/S Cable	S/S Cable	S/S Cable	S/S Cable
Flash Collar	23"	23"	30"	30"	30"	30"
Truck	Rev-AL	Rev-AL	Rev-AL	Rev-AL	Rev-AL	Rev-AL
Snaps	S/S	S/S	S/S	S/S	S/S	S/S
Standard Flag Size	8'X12'	10'X15'	12'X18'	12'X18'	20'X30'	20'X30'

Specifications

Provide a Fiberglass Reinforced Composite (FRC) Ground set flagpole Model # **50I** as manufactured by PLP Composites, Fitzwilliam, NH 03447.

The flagpole shall have a mounting height of 50' and 5' below grade for an overall length of 55'.

The butt diameter shall be 10" and the top diameter 4.5". The pole weight shall be approximately 325 lbs. and a total shipping weight of 577 lbs.

The flagpole shall be manufactured of fiberglass woven roving and polyester resin with 75% of the reinforcing fibers oriented in the axial plane for maximum stiffness and 25% in the radial plane for required hoop strength. Load calculations shall be based on AASHTO and NAAMM standards with the pole designed with a two to one (2:1) safety factor for 125 mph winds, unflagged, with a 1.3 gust factor.

The flagpole shall have an Entasis taper and shall be void of vertical mold seams.

The flagpole shall be sanded smooth and coated with a high gloss Aliphatic Polyurea coating system which provides extended UV protection and weatherability.

Internal pole is to be equipped with a winch operating system. Not pre-installed at the factory, parts provided in fitting kit.

Standard colors include: White, Black, Bronze, Faux-Luminum, and Metallic Bronze

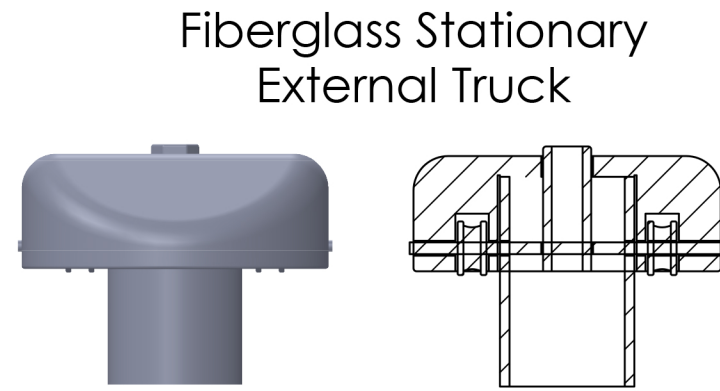
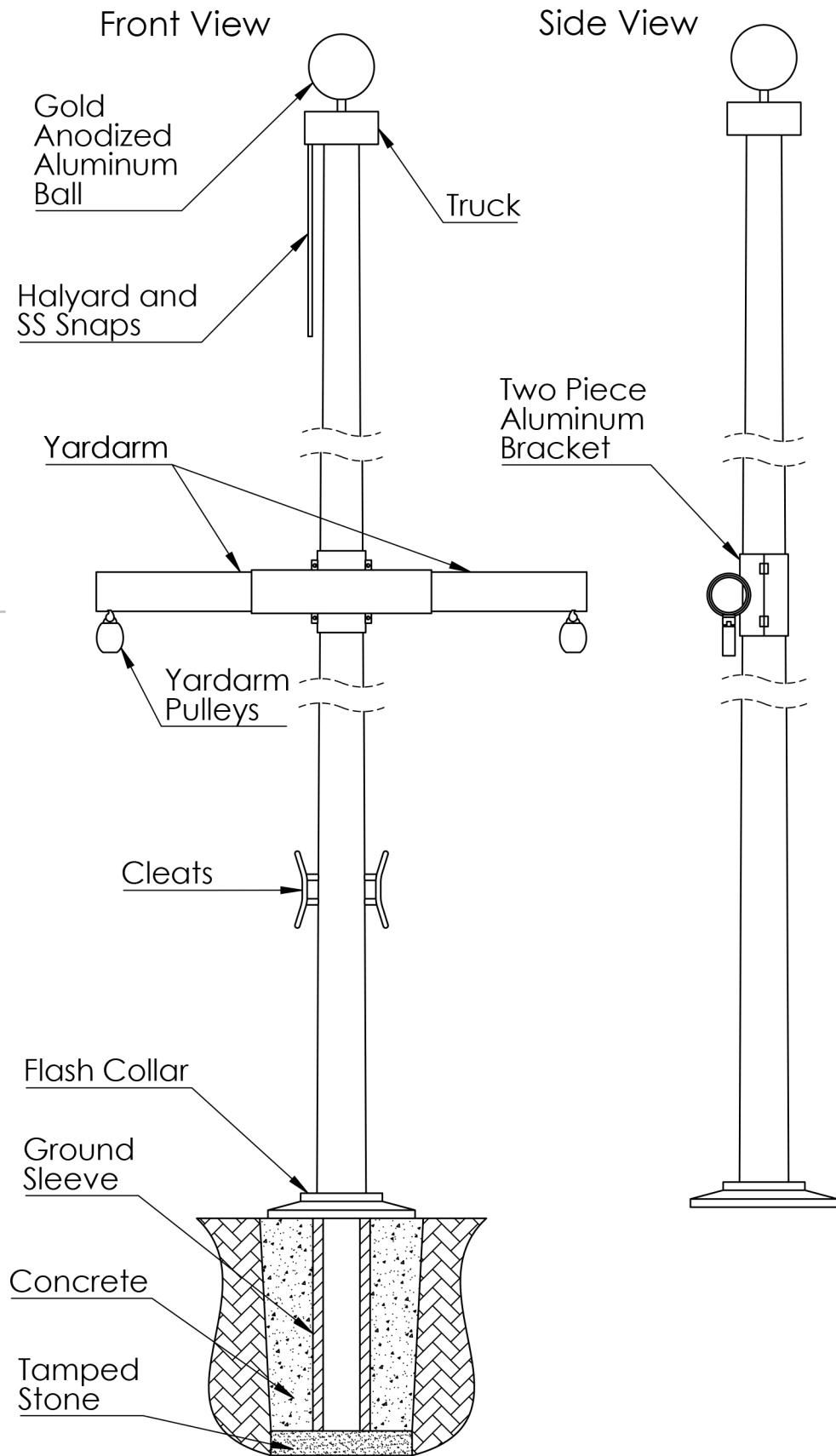


PLP Composites

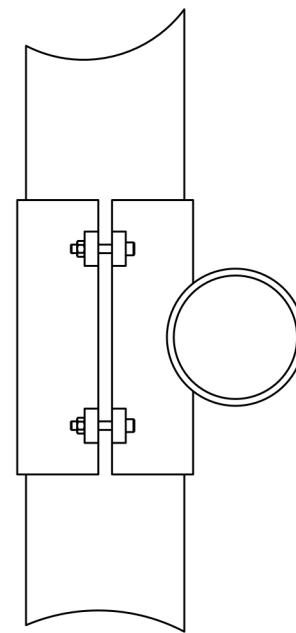
57 Creamery Road - PO Box 429, Fitzwilliam, NH 03447 - Phone: 800-262-6075 - www.plpcomp.com or www.zeusflagpoles.com - info@plpcomp.com

Aeolus Series - Model #50I	Standard Fittings:		Project:
50' Above Grade Height	10" Gold Anodized Ball	1/8" S/S Aircraft Cable	
55' Overall Height	Revolving Truck	23" Flash Collar	Location:
Top Diameter - 4.5"	1-8'x12' Flag Arrangement	Medium Retaining Ring	
Butt Diameter - 10"	Winch & Winch Handle	Large Counterweight	Date:
		5'x 14" Ground Sleeve	

Poseidon Series with Yardarm NSM25-NSM40



Aluminum Powder Coated Bracket



Specifications and Accessories

Nautical Single Masted Flagpole with yardarm 25' - 40'				
Model	NSM25-YA	NSM30-YA	NSM35-YA	NSM40-YA
Above Ground Height	25'	30'	35'	40'
Burial Depth	3'	3'	4'	4'
Butt Diameter	6"	6.8"	7.25"	8"
Top Diameter	3"	3"	3"	3"
Yardarm				
Length	6.5'	8'	9.5'	11'
End Diameter	2.5"	3"	3"	3"
Center Diameter	3"	4"	4"	4"
Ground Sleeve	3'x8"	3'x8"	4'x9"	4'x9"
Gold Anodized Ball	6"	6"	8"	8"
Truck	F/G	F/G	F/G	F/G
Cleat (powder coated)	3 of 8"	3 of 8"	3 of 8"	3 of 8"
Polyester Halyard	3 of #10	3 of #10	3 of #10	3 of #10
Snaps (stainless steel)	3 pair	3 pair	3 pair	3 pair
Flash Collar	16"	16"	16"	16"
Pole Weight	75	107	167	217
Pole Weight (w/YA)	87	121	182	237
Shipping Weight	142	184	262	321
Vinyl Cover	3 pair	3 pair	3 pair	3 pair

Specifications

Provide a Fiberglass Reinforced Composite (FRC) Nautical flagpole Model # **NSM25-YA** as manufactured by PLP Composites, Fitzwilliam, NH 03447.

The flagpole shall have a mounting height of 25' and 3' below grade for an overall length of 28'. The butt diameter shall be 6" and the top diameter 3". The pole weight shall be approximately 75 lbs. and a total shipping weight of 142 lbs.

The yardarm shall have an overall length of 6.5'. The diameter at the center of the yardarm shall be 3" and will taper to each end to a diameter of 2.5". The yardarm shall be secured to the pole shaft with an aluminum powder coated two-piece bracket.

The flagpole shall be manufactured of fiberglass woven roving and polyester resin with 75% of the reinforcing fibers oriented in the axial plane for maximum stiffness and 25% in the radial plane for required hoop strength. Load calculations shall be based on AASHTO and NAAMM standards with the pole designed with a two to one (2:1) safety factor for 150 mph winds, unflagged, with a 1.3 gust factor.

The flagpole and yardarm shall have an Entasis taper and shall be void of vertical mold seams.

The flagpole and yardarm shall be sanded smooth and coated with a high gloss Aliphatic Polyurea coating system which provides extended UV protection and weatherability.

The flagpole and yardarm shall be 87 lbs. with a shipping weight of 142 lbs.

Standard colors include: White, Black, Bronze, Faux-Luminum, and Metallic Bronze

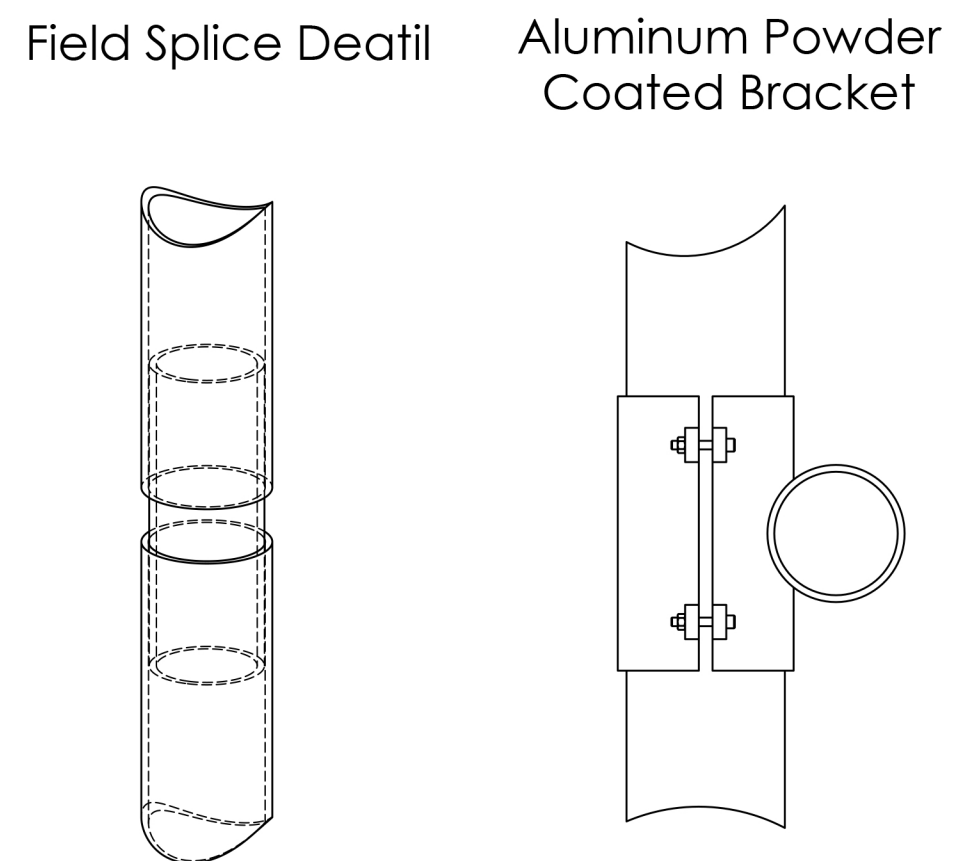
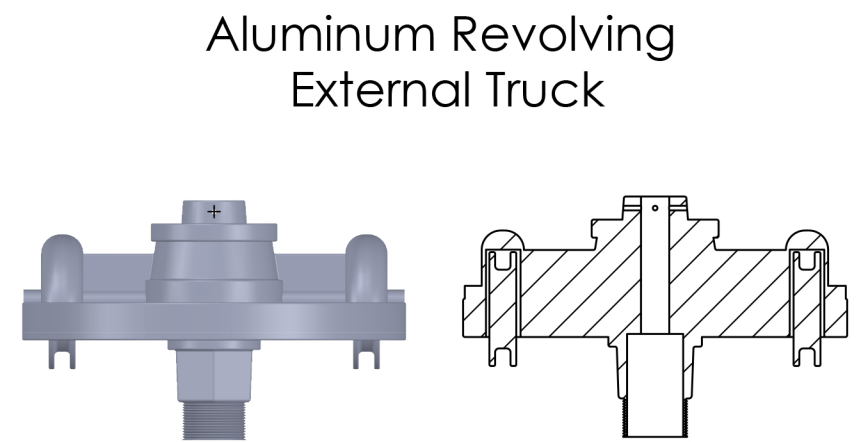
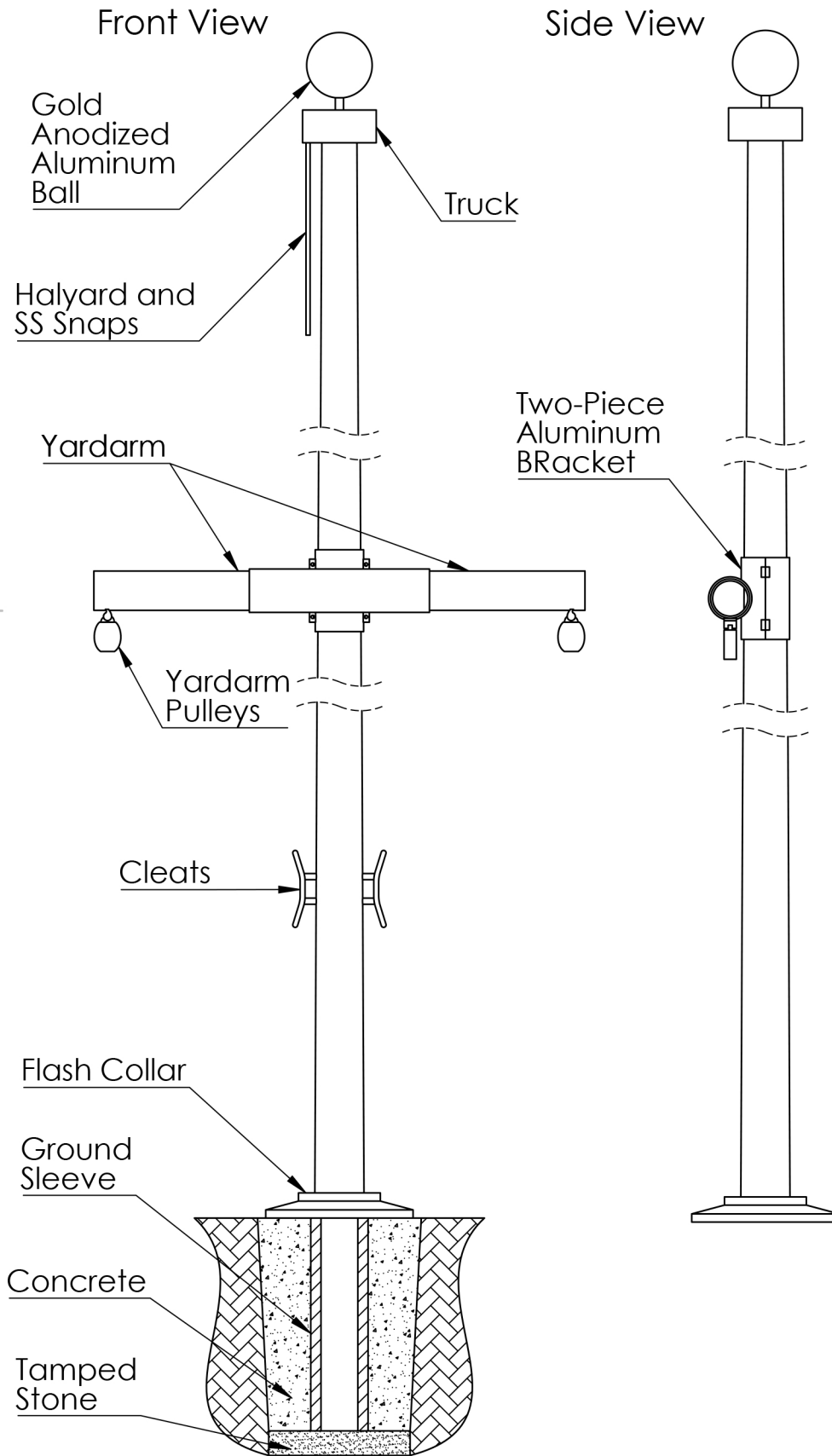


Poseidon Series - Model NSM25-YAG	Standard Fittings:		Project:
25' Above Grade Height	6" Gold Anodized Ball	3 of #10 Halyards	
28' Overall Height	Cast FG Stationary Truck	3 of 8" Powder Coated Cleat	Location:
Top Diameter - 3"	3 pair of S/S Snaps	16" Flash Collar	
Butt Diameter - 6"	3 pair of Vinyl Covers	3'x8" Ground Sleeve	Date:
Yardarm Bracket & Stick (pre-assembled with S/S Eye-Bolts & S/S Pulleys)			

PLP Composites

57 Creamery Road - PO Box 429, Fitzwilliam, NH 03447 - Phone: 800-262-6075 - www.plpcomp.com or www.zeusflagpoles.com - info@plpcomp.com

Poseidon Series with Yardarm NSM50-NSM60



Specifications and Accessories

Nautical Single Masted Flagpole with yardarm 50' - 60'		
Model	NSM50-YA	NSM60-YA
Above Ground Height	50'	60'
Burial Depth	5'	6'
Butt Diameter	10.5"	11"
Top Diameter	4.5"	4.5"
Yardarm		
Length	13.5'	16'
End Diameter	3"	3"
Center Diameter	4.5"	4.5"
Ground Sleeve	5'x14"	5'x14"
Gold Anodized Ball	10"	10"
Truck	AL-Rev	AL-Rev
Cleat (powder coated)	3 of 10"	3 of 10"
Polyester Halyard	3 of #12	3 of #12
Snaps (stainless steel)	4.5"	4.5"
Flash Collar	23"	23"
Pole Weight	397	629
Pole Weight (w/YA)	442	679
Shipping Weight	648	862

Specifications

Provide a Fiberglass Reinforced Composite (FRC) Nautical flagpole Model # **NSM50-YA** as manufactured by PLP Composites, Fitzwilliam, NH 03447.

The flagpole shall have a mounting height of 50' and 5' below grade for an overall length of 55'. The butt diameter shall be 10.5" and the top diameter 4.5". The pole weight shall be approximately 397 lbs. and a total shipping weight of 648 lbs.

The yardarm shall have an overall length of 13.5'. The diameter at the center of the yardarm shall be 4.5" and will taper to each end to a diameter of 3". The yardarm shall be secured to the pole shaft with an aluminum powder coated two-piece bracket.

The flagpole shall be manufactured of fiberglass woven roving and polyester resin with 75% of the reinforcing fibers oriented in the axial plane for maximum stiffness and 25% in the radial plane for required hoop strength. Load calculations shall be based on AASHTO and NAAMM standards with the pole designed with a two to one (2:1) safety factor for 150 mph winds, unflagged, with a 1.3 gust factor.

The flagpole and yardarm shall have an Entasis taper and shall be void of vertical mold seams.

The flagpole and yardarm shall be sanded smooth and coated with a high gloss Aliphatic Polyurea coating system which provides extended UV protection and weatherability.

The flagpole and yardarm weight shall be 442 lbs. with a shipping weight of 648 lbs.

Standard colors include: White, Black, Bronze, Faux-Luminum, and Metallic Bronze

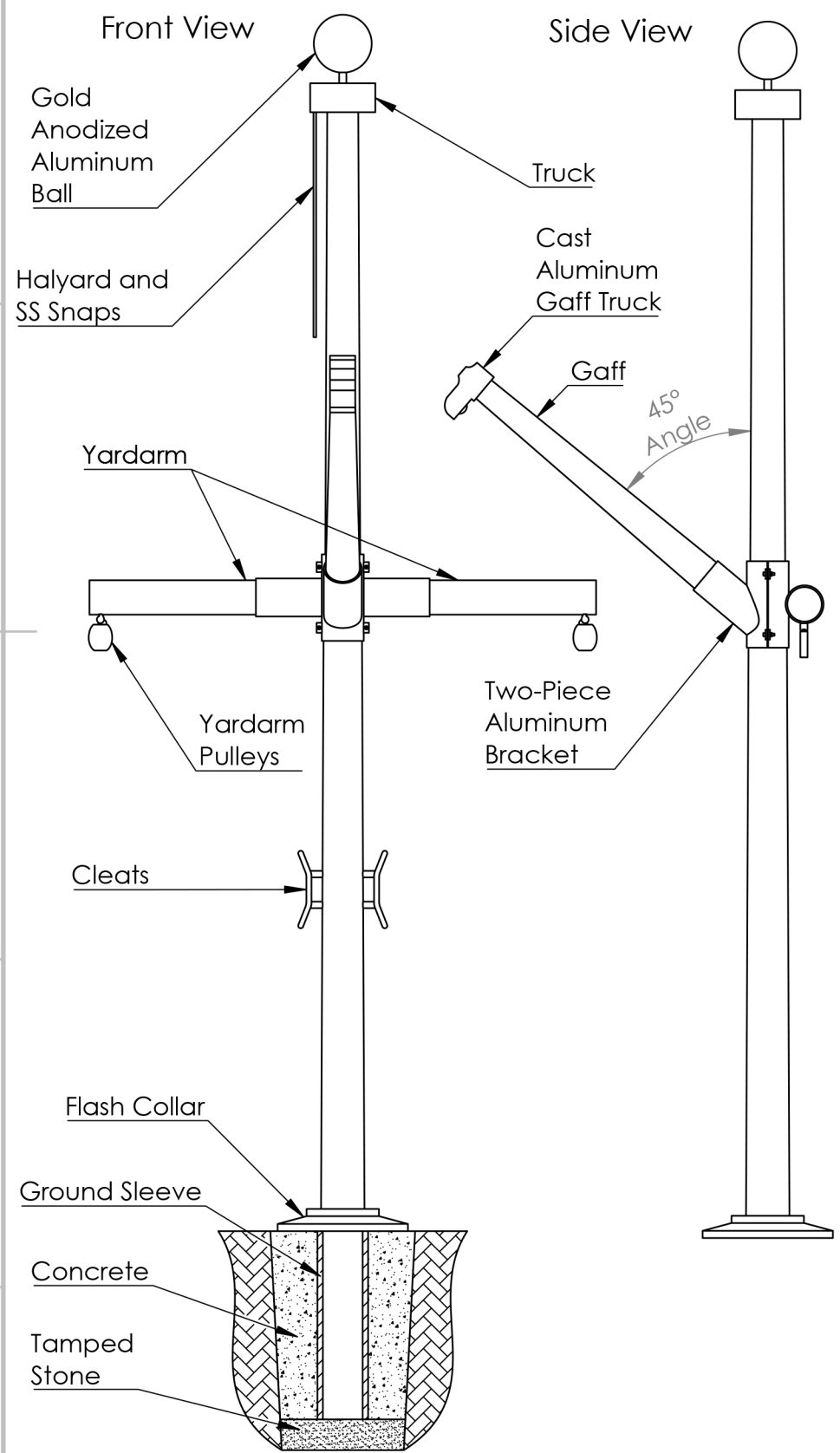


Poseidon Series - Model NSM50-YAG	Standard Fittings:		Project:
50' Above Grade Height	10" Gold Anodized Ball	3 of #12 Halyards	
55' Overall Height	Revolving Alum. Truck	3 of 10" Powder Coated Cleat	Location:
Top Diameter - 4.5"	3 pair of S/S Snaps	23" Flash Collar	
Butt Diameter - 10.5"	3 pair of Vinyl Covers	5'x14" Ground Sleeve	Date:
Yardarm Bracket & Stick (pre-assembled with S/S Eye-Bolts & Pulleys)			

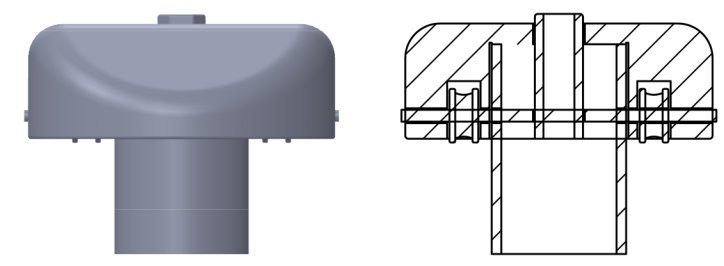
PLP Composites

57 Creamery Road - PO Box 429, Fitzwilliam, NH 03447 - Phone: 800-262-6075 - www.plpcomp.com or www.zeusflagpoles.com - info@plpcomp.com

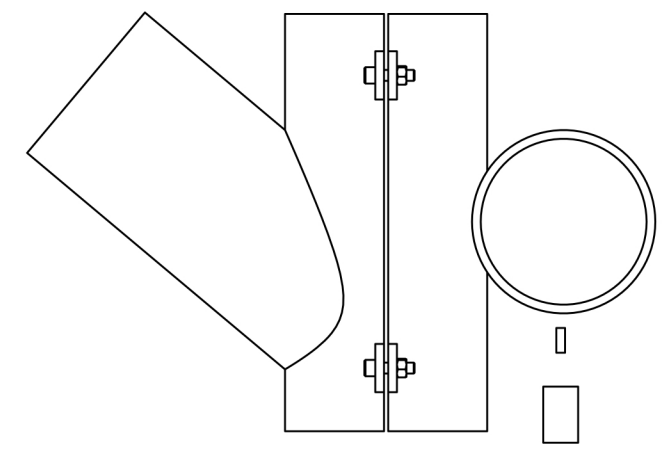
Poseidon Series Single Masted Flagpole with Yardarm/Gaff NSM25-NSM40



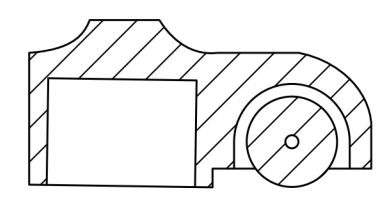
Fiberglass Stationary External Truck



Aluminum Powder Coated Bracket



Aluminum Gaff Truck



Specifications and Accessories

Nautical Single Masted Flagpole with yardarm/Gaff 25' - 40'				
Model	NSM25-YAG	NSM30-YAG	NSM35-YAG	NSM40-YAG
Above Ground Height	25'	30'	35'	40'
Burial Depth	3'	3'	4'	4'
Butt Diameter	6"	6.5"	7.25"	8"
Top Diameter	3"	3"	3"	3"
Standard Flags	3'x5'	4'x6'	4'x6'	5'x8'
Yardarm				
Length	6.5'	8'	9.5'	11'
End Diameter	2.5"	3"	3"	3"
Center Diameter	3"	4"	4"	4"
Standard Flags	3'x5'	4'x6'	4'x6'	5'x8'
Gaff				
Length	4.5'	5.5'	6.5'	7.5'
Tip Diameter	2.5"	3"	3"	3"
Butt Diameter	3"	4"	4"	4"
Standard Flags	3'x5'	4'x6'	4'x6'	5'x8'
Ground Sleeve	3'x8"	3'x8"	4'x9"	4'x9"
Gold Anodized Ball	6"	6"	8"	8"
Truck	F/G	F/G	F/G	F/G
Cleat (powder coated)	4 of 8"	4 of 8"	4 of 8"	4 of 8"
Polyester Halyard	4 of #10	4 of #10	4 of #10	4 of #10
Snaps (stainless steel)	4 pair	4 pair	4 pair	4 pair
Flash Collar	16"	16"	16"	16"
Pole Weight	75	107	167	217
Pole Weight (w/YA)	87	121	182	237
Shipping Weight	142	184	262	321
Vinyl Covers	4 pair	4 pair	4 pair	4 pair

Specifications

Provide a Fiberglass Reinforced Composite (FRC) Nautical flagpole Model # **NSM25-YAG** as manufactured by PLP Composites, Fitzwilliam, NH 03447.

The flagpole shall have a mounting height of 25' and 3' below grade for an overall length of 28'. The butt diameter shall be 6.8" and the top diameter 3".

The yardarm shall have an overall length of 6.5'. The diameter at the center of the yardarm shall be 3" and will taper to each end to a diameter of 2.5". The gaff shall have an overall length of 4.5'. The butt diameter shall be 3" and the tip diameter 2.5". The yardarm and gaff shall be secured to the pole shaft with an aluminum powder coated bracket.

The flagpole shall be manufactured of fiberglass woven roving and polyester resin with 75% of the reinforcing fibers oriented in the axial plane for maximum stiffness and 25% in the radial plane for required hoop strength. Load calculations shall be based on AASHTO and NAAMM standards with the pole designed with a two to one (2:1) safety factor for 150 mph winds, unflagged, with a 1.3 gust factor.

The flagpole, yardarm, and gaff shall have an Entasis taper and shall be void of vertical mold seams.

The flagpole, yardarm, and gaff shall be sanded smooth and coated with a high gloss Aliphatic Polyurea coating system which provides extended UV protection and weatherability.

The flagpole, yardarm, and gaff weight shall be 87 lbs. with a shipping weight of 142 lbs.

Standard colors include: White, Black, Bronze, Faux-Luminum, and Metallic Bronze

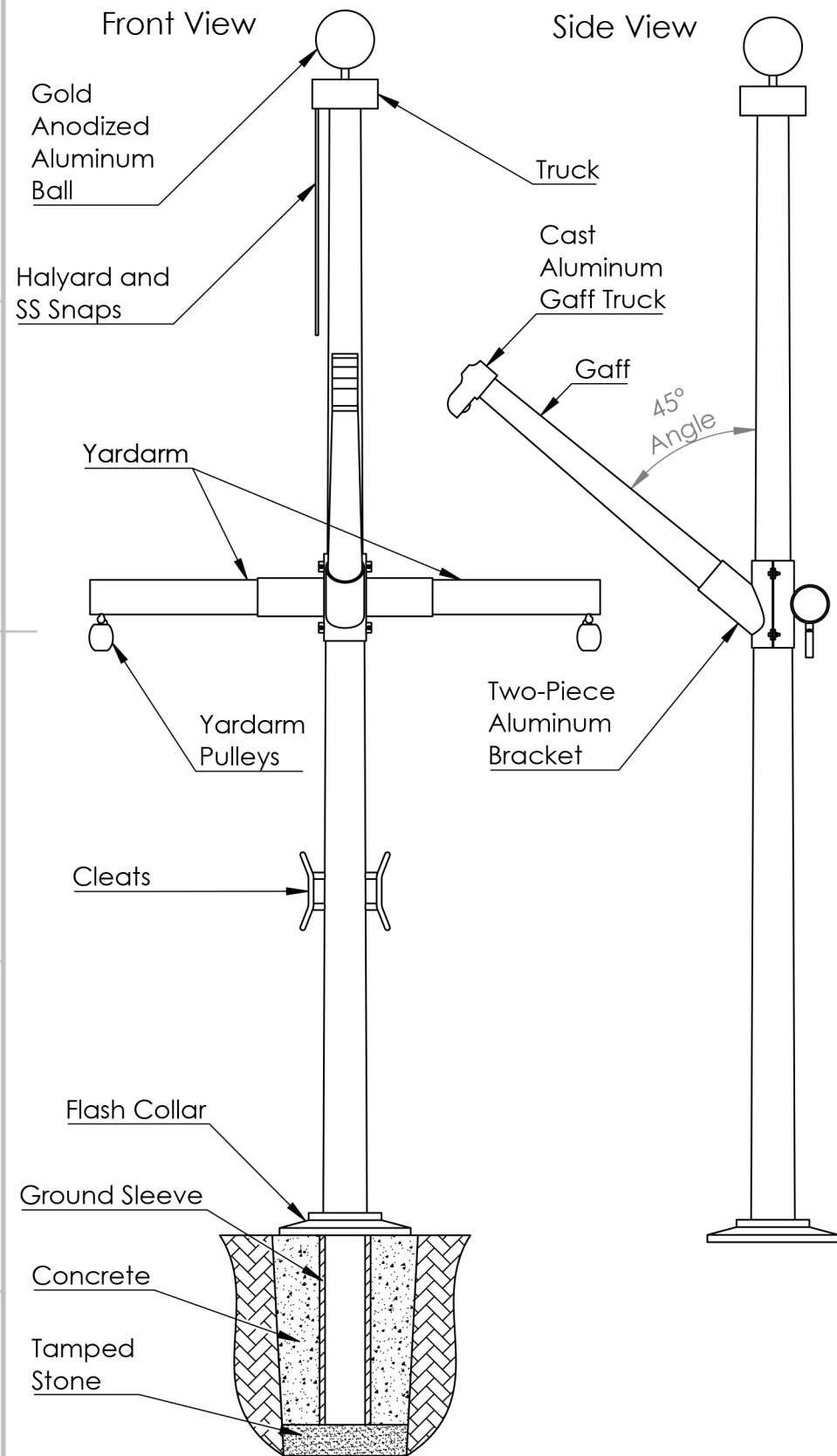


Poseidon Series - Model NSM25-YAG	Standard Fittings:		Project:
25' Above Grade Height	6" Gold Anodized Ball	4 of #10 Halyards	
28' Overall Height	Cast FG Stationary Truck	4 of 8" Powder Coated Cleat	Location:
Top Diameter - 3"	Cast Alum. Gaff Truck	16" Flash Collar	
Butt Diameter - 6"	4 pair of S/S Snaps	3'x8" Ground Sleeve	Date:
	4 pair of Vinyl Covers		
Yardarm & Gaff Brackets & Sticks (pre-assembled with S/S Eye-Bolts & Pulleys)			

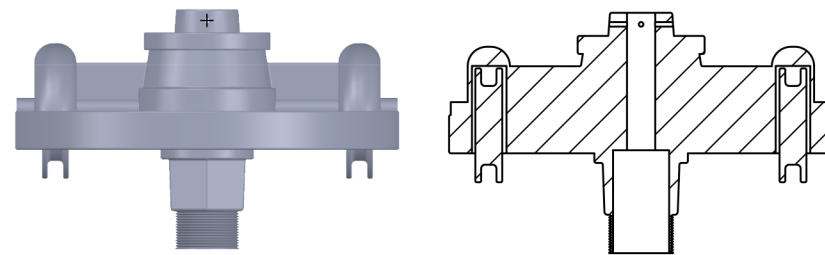
PLP Composites

57 Creamery Road - PO Box 429, Fitzwilliam, NH 03447 - Phone: 800-262-6075 - www.plpcomp.com or www.zeusflagpoles.com - info@plpcomp.com

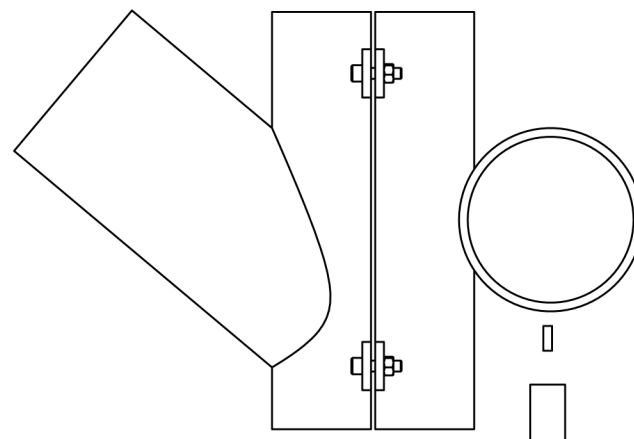
Poseidon Series Single Masted Flagpole with Yardarm/Gaff NSM50-NSM60



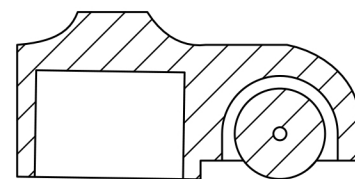
Aluminum Revolving External Truck



Aluminum Powder Coated Bracket



Aluminum Gaff Truck



Specifications and Accessories

Nautical Single Masted Flagpole with yardarm/Gaff 50' - 60'		
Model	NSM50-YAG	NSM60-YAG
Above Ground Height	50'	60'
Burial Depth	5'	6'
Butt Diameter	10.5"	11"
Top Diameter	4.5"	4.5"
Standard Flags	6'x10'	8'x12'
Yardarm		
Length	13.5'	16'
End Diameter	3"	3"
Center Diameter	4.5"	4.5"
Standard Flags	6'x10'	8'x12'
Gaff		
Length	9'	11'
Tip Diameter	3"	3"
Butt Diameter	4.5"	4.5"
Standard Flags	6'x10'	8'x12'
Ground Sleeve	5'x14'	6'x14'
Gold Anodized Ball	10"	10"
Truck	F/G	F/G
Cleat (powder coated)	4 of 8"	4 of 8"
Polyester Halyard	4 of #12	4 of #12
Snaps (stainless steel)	4 pair	4 pair
Flash Collar	23"	23"
Pole Weight	397	629
Pole Weight (w/YA)	467	711
Shipping Weight	528	782
Vinyl Cover	4 pair	4 pair

Specifications

Provide a Fiberglass Reinforced Composite (FRC) Nautical flagpole Model # **NSM50-YAG** as manufactured by PLP Composites, Fitzwilliam, NH 03447.

The flagpole shall have a mounting height of 50' and 5' below grade for an overall length of 55'. The butt diameter shall be 10.5" and the top diameter 4.5".

The yardarm shall have an overall length of 13.5'. The diameter at the center of the yardarm shall be 4.5" and will taper to each end to a diameter of 3". The gaff shall have an overall length of 9'. The butt diameter shall be 4.5" and the tip diameter 3". The yardarm and gaff shall be secured to the pole shaft with an aluminum powder coated bracket.

The flagpole shall be manufactured of fiberglass woven roving and polyester resin with 75% of the reinforcing fibers oriented in the axial plane for maximum stiffness and 25% in the radial plane for required hoop strength. Load calculations shall be based on AASHTO and NAAMM standards with the pole designed with a two to one (2:1) safety factor for 150 mph winds, unflagged, with a 1.3 gust factor.

The flagpole, yardarm, and gaff shall have an Entasis taper and shall be void of vertical mold seams.

The flagpole, yardarm, and gaff shall be sanded smooth and coated with a high gloss Aliphatic Polyurea coating system which provides extended UV protection and weatherability.

The flagpole, yardarm, and gaff weight shall be 397 lbs. with a shipping weight of 528 lbs.

Standard colors include: White, Black, Bronze, Faux-Luminum, and Metallic Bronze



Poseidon Series - Model NSM50-YAG	Standard Fittings:		Project:
50' Above Grade Height	10" Gold Anodized Ball	4 of #12 Halyards	
55' Overall Height	Cast FG Stationary Truck	4 of 8" Powder Coated Cleat	Location:
Top Diameter - 4.5"	Alum. Gaff Truck	23" Flash Collar	
Butt Diameter - 10.5"	4 pair of S/S Snaps	5'x14" Ground Sleeve	Date:
	4 pair of Vinyl Covers		
Yardarm & Gaff Brackets & Sticks (pre-assembled with S/S Eye-Bolts & Pulleys)			

PLP Composites

57 Creamery Road - PO Box 429, Fitzwilliam, NH 03447 - Phone: 800-262-6075 - www.plpcomp.com or www.zeusflagpoles.com - info@plpcomp.com