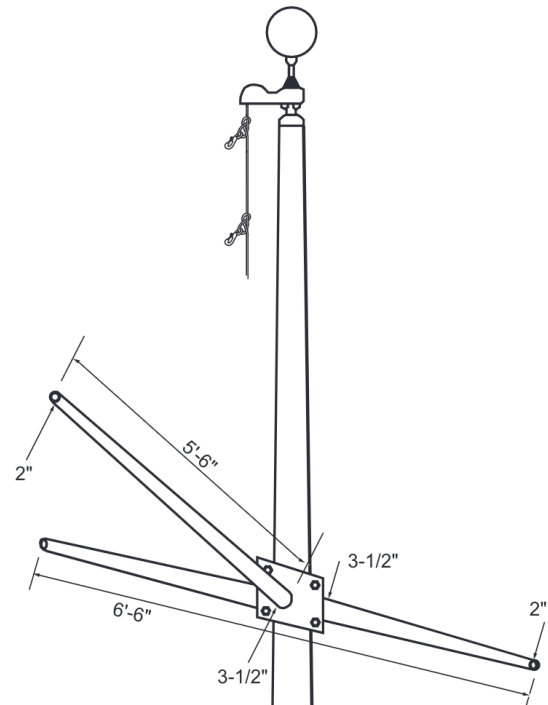
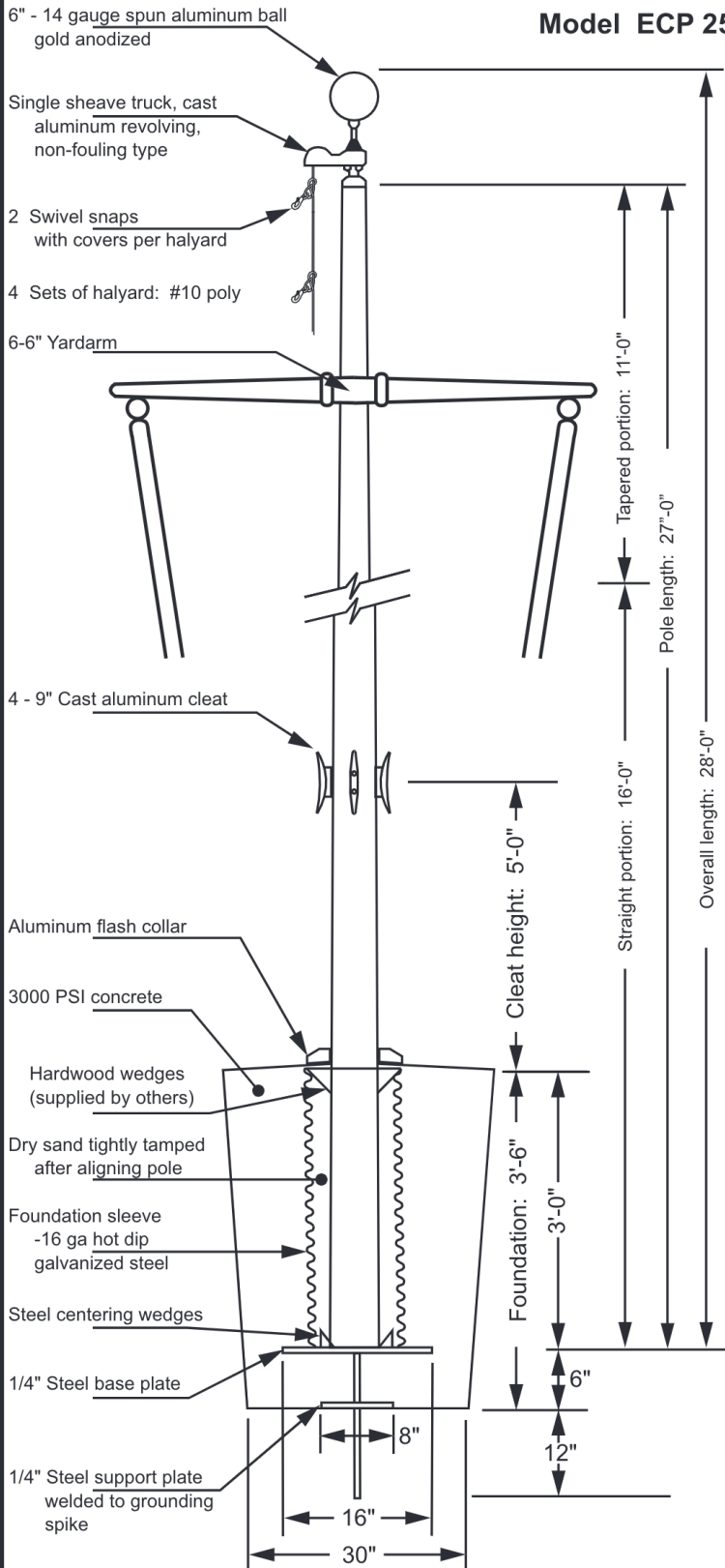


Model ECP 25 YG

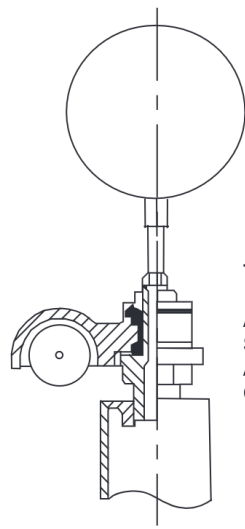


Yardarm Dimensions

- Top diameter: 2"
- Center diameter: 3-1/2"
- Tapered length, ends: 6'
- Straight section: 6"
- Wall thickness: .125"

Gaff Dimensions

- Top diameter: 2"
- Center diameter: 3-1/2"
- Tapered length: 5'-6"
- Straight section: 0"
- Wall thickness: .125"



Truck Detail

- Aluminum body
- Stainless steel ball bearings
- Aluminum sheave
- Cast aluminum spindle

Project:	Ground set tapered aluminum flagpole: ALLOY: 6063T6	FLAGS.COM	Date:
Location:	Exposed height: 25'-0"	Overall height: 28'-0"	1-800-858-8776
Architect:	Ship in 1 section	Butt diameter: 5-1/2"	1395 NW 17th Ave #112B
Contractor:	Top diameter: 3-1/2"	Wall thickness: .188"	Delray Beach, FL 33445
Customer:	Finish: 100 grit polish		Job: