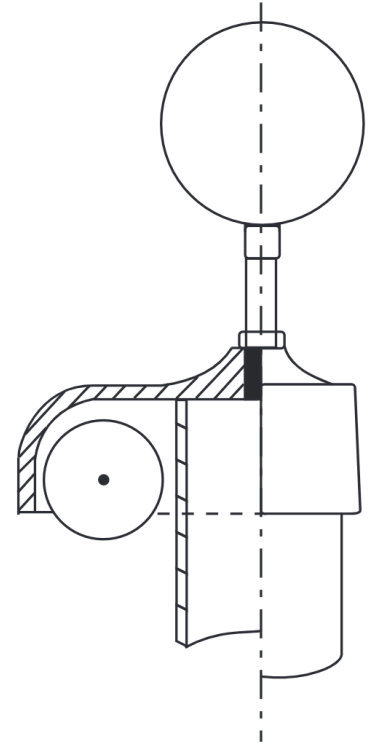
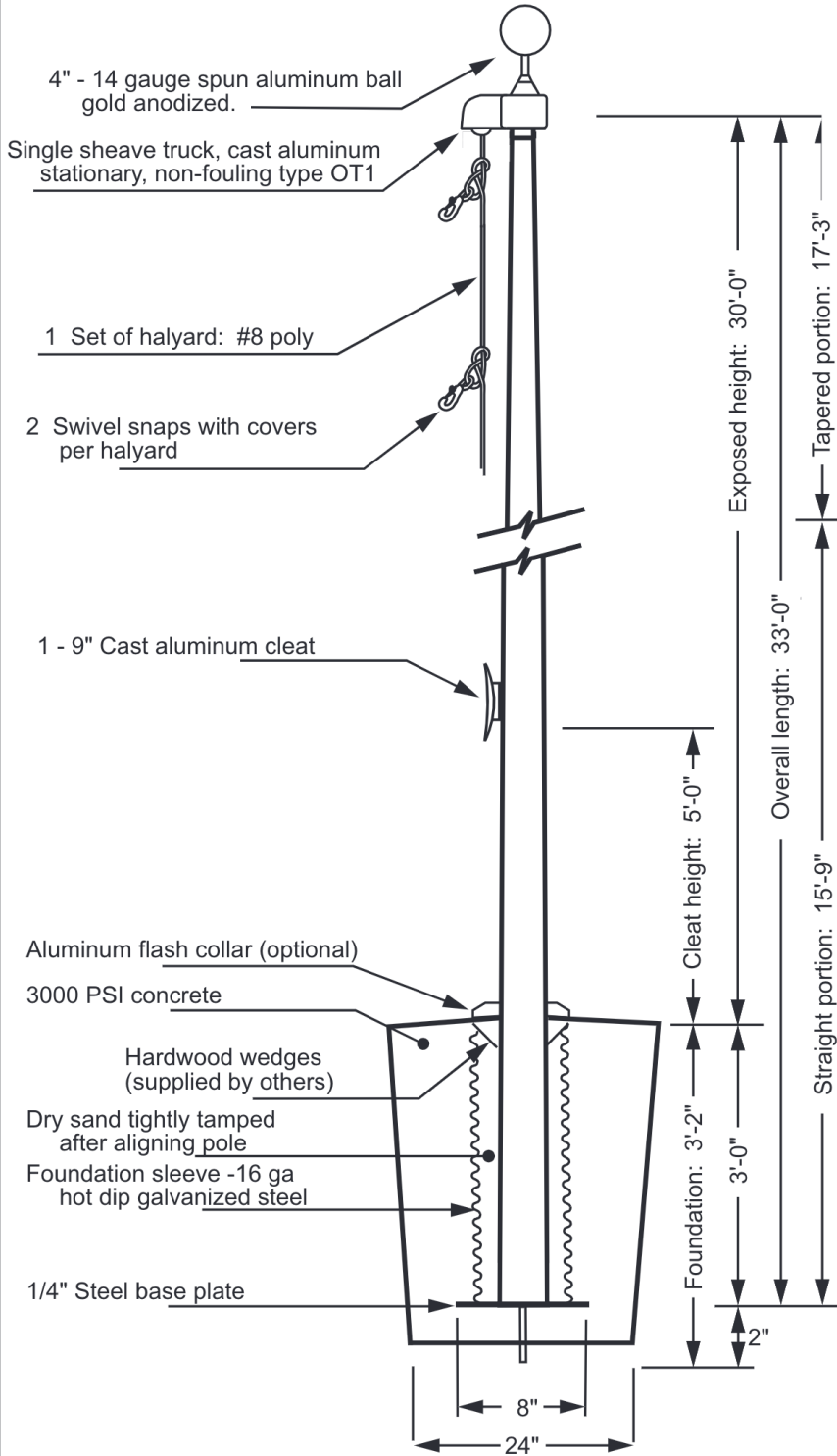


### Model ECS30



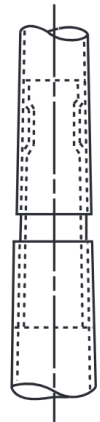
**Stationary Truck Detail**

Cast Aluminum body

All shafts with overall length of more than 38'-6" are shipped in two sections.

Each section matched marked for field assembly. Exposed portion of jam sleeve must be **well lubricated** prior to assembly.

1-1/2" maximum shop gap allowed for field fitting (ram for tight joint)



Project:	Ground set tapered aluminum flagpole: ALLOY: 6063T6	FLAGS.COM	Date:
Location:	Exposed height: 30'-0"	Overall height: 33'-0"	Revision:
Architect:	Ship in 1 section	Butt diameter: 4"	1395 NW 17th Ave #112B
Contractor:	Top diameter: 2-3/8"	Wall thickness: .125"	Delray Beach, FL 33445
Customer:	Finish: 100 grit polish		Job: