

### Model ECSA20

4" - 14 gauge spun aluminum ball  
gold anodized

Single sheave truck, cast aluminum,  
stationary, non-fouling type

2 Swivel snaps with covers  
per halyard

1 Set of halyard: #8 poly

1 - 9" Cast aluminum cleat

Aluminum flash collar

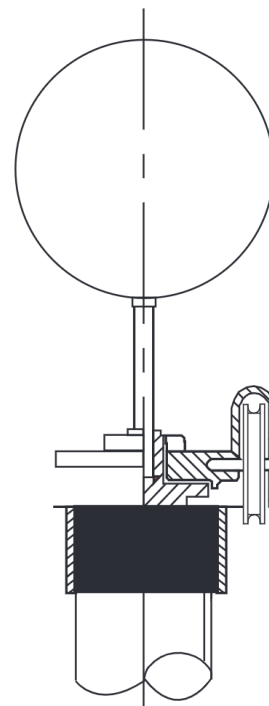
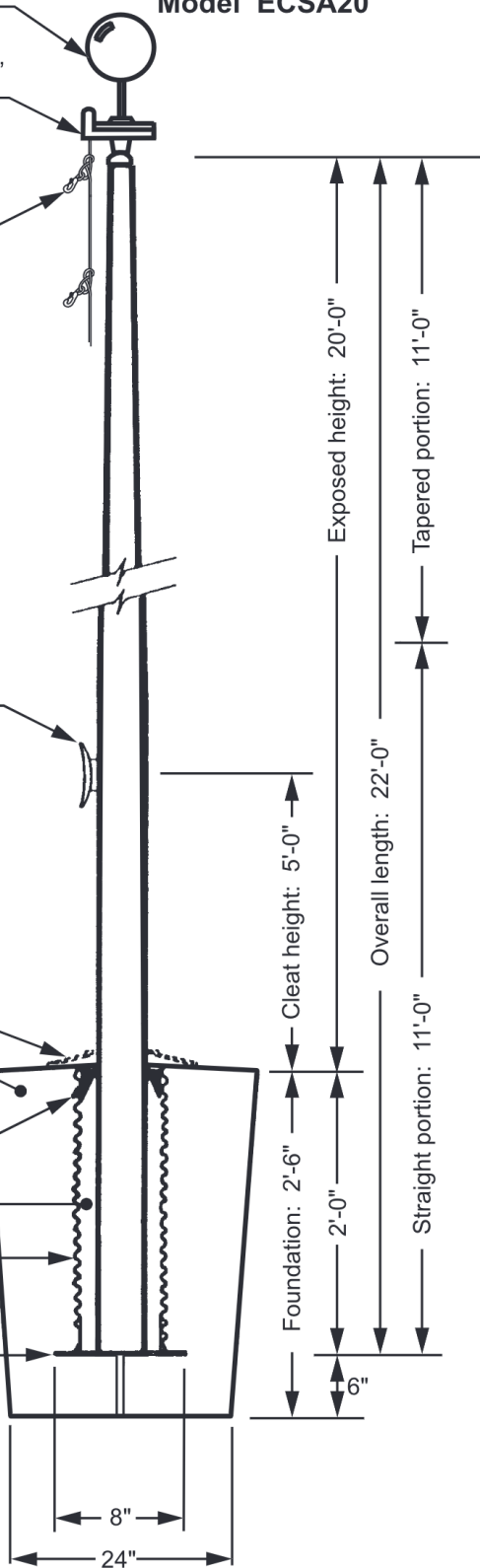
3000 PSI concrete

Hardwood wedges  
(supplied by others)

Dry sand tightly tamped  
after aligning pole

Foundation sleeve -16 ga  
hot dip galvanized steel

1/4" Steel base plate



All shafts with overall length of more than 38'-6" are shipped in two sections.

Each section matched marked for field assembly. Exposed portion of jam sleeve must be **well lubricated** prior to assembly.

1-1/2" maximum shop gap allowed for field fitting (ram for tight joint)



Project:	Ground set tapered aluminum flagpole: ALLOY: 6063T6	FLAGS.COM	Date:
Location:	Exposed height: 20'-0"	Overall height: 22'-0"	1-800-858-8776
Architect:	Ship in 1 section	Butt diameter: 4"	1395 NW 17th Ave #112B
Contractor:	Top diameter: 2-3/8"	Wall thickness: .125"	Delray Beach, FL 33445
Customer:	Finish: 100 grit polish		Job: