

Model ECAV30

6" - 14 gauge spun aluminum ball
gold anodized.

IHT-VS Cast aluminum stationary
truck (see detail).

One length #6 wire center halyard,
with 2 flag snaps.

One 2" x 3-1/2" vinyl covered
counterweight with eyelet

Beaded retaining ring

Access opening with cylinder lock

Aluminum flash collar

3000 PSI concrete

Hardwood wedges
(supplied by others)

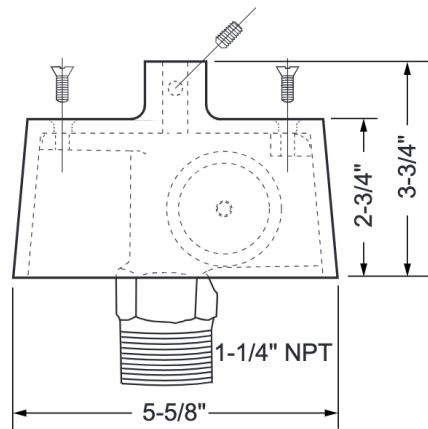
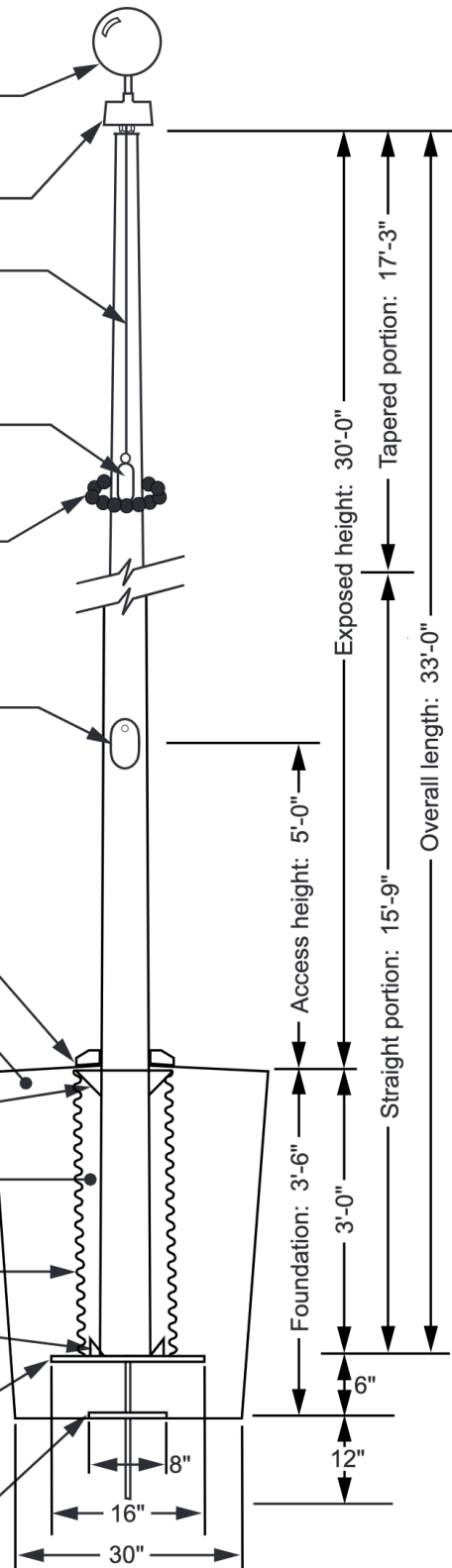
Dry sand tightly tamped
after aligning pole

Foundation sleeve -16 ga
hot dip galvanized steel

Steel centering wedges

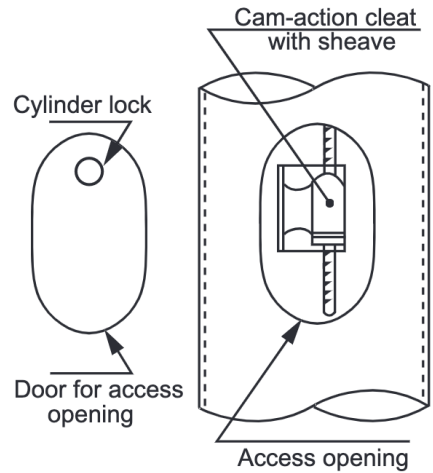
1/4" Steel base plate

1/4" Steel support plate
welded to grounding spike



Truck Detail (IHT-VS)

Cast aluminum construction
Stationary truck
2" outside diameter nylon sheave
Top designed with 1/2" - 13NC to
accept an ornament
Stainless steel flathead screws
for assembly



All shafts with overall
length of more than
38'-6" are shipped in
two sections.

Each section matched
marked for field assembly.
Exposed portion of jam
sleeve must be **well
lubricated** prior to
assembly.

1-1/2" maximum shop
gap allowed for field
fitting (ram for tight joint)



Project:	Ground set tapered aluminum flagpole: ALLOY: 6063T6	FLAGS.COM	Date:
Location:	Exposed height: 30'-0" Overall height: 33'-0"	1-800-858-8776	Revision:
Architect:	Ship in 1 section Butt diameter: 6"	1395 NW 17th Ave #112B	
Contractor:	Top diameter: 3-1/2" Wall thickness: .156"	Delray Beach, FL 33445	
Customer:	Finish: 100 grit polish		Job: