

Model ECA35

8" - 14 gauge spun aluminum ball
gold anodized

Single sheave truck, cast aluminum
revolving, non-fouling type

2 Swivel snaps with covers
per halyard

1 Set of halyard: #10 poly

1 - 9" Cast aluminum cleat

Aluminum flash collar

3000 PSI concrete

Hardwood wedges
(supplied by others)

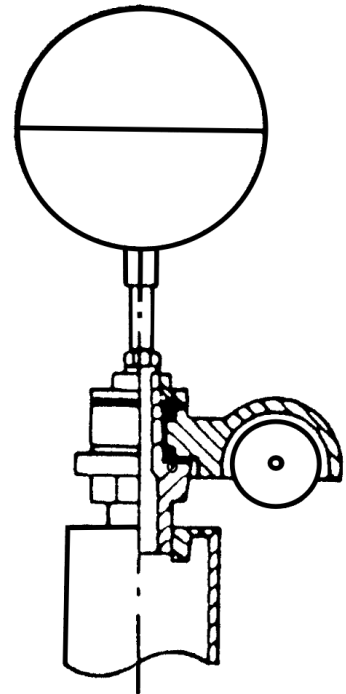
Dry sand tightly tamped
after aligning pole

Foundation sleeve -16 ga
hot dip galvanized steel

Steel centering wedges

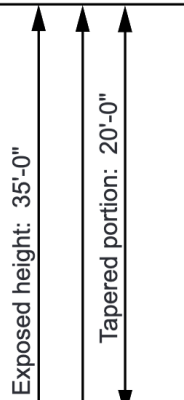
1/4" Steel base plate

1/4" Steel support plate
welded to grounding spike



Truck Detail

Aluminum body
Stainless steel ball bearings
Aluminum sheave
Cast aluminum spindle



Overall length: 38'-6"

Straight portion: 18'-6"

Cleat height: 5'-0"

Foundation: 4'-0"

3'-6"

6"

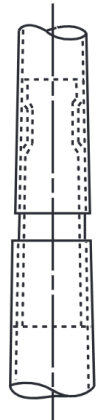
12"



All shafts with overall
length of more than
38'-6" are shipped in
two sections.

Each section matched
marked for field assembly.
Exposed portion of jam
sleeve must be **well
lubricated** prior to
assembly.

1-1/2" maximum shop
gap allowed for field
fitting (ram for tight joint)



Project:	Ground set tapered aluminum flagpole: ALLOY: 6063T6	FLAGS.COM	Date:
Location:	Exposed height: 35'-0"	Overall height: 38'-6"	Revision:
Architect:	Ship in 1 section	Butt diameter: 7"	1395 NW 17th Ave #112B
Contractor:	Top diameter: 3-1/2"	Wall thickness: .156"	Delray Beach, FL 33445
Customer:	Finish: 100 grit polish		Job: