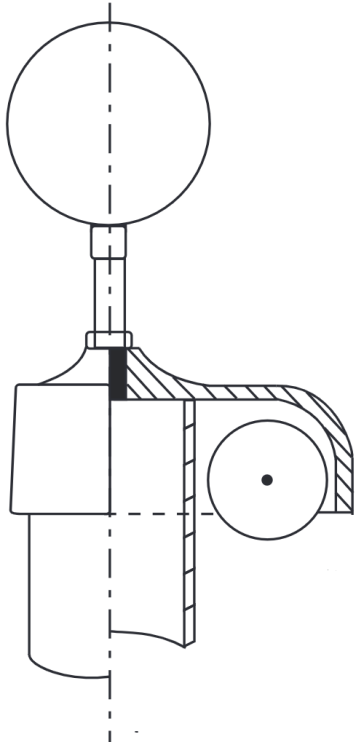
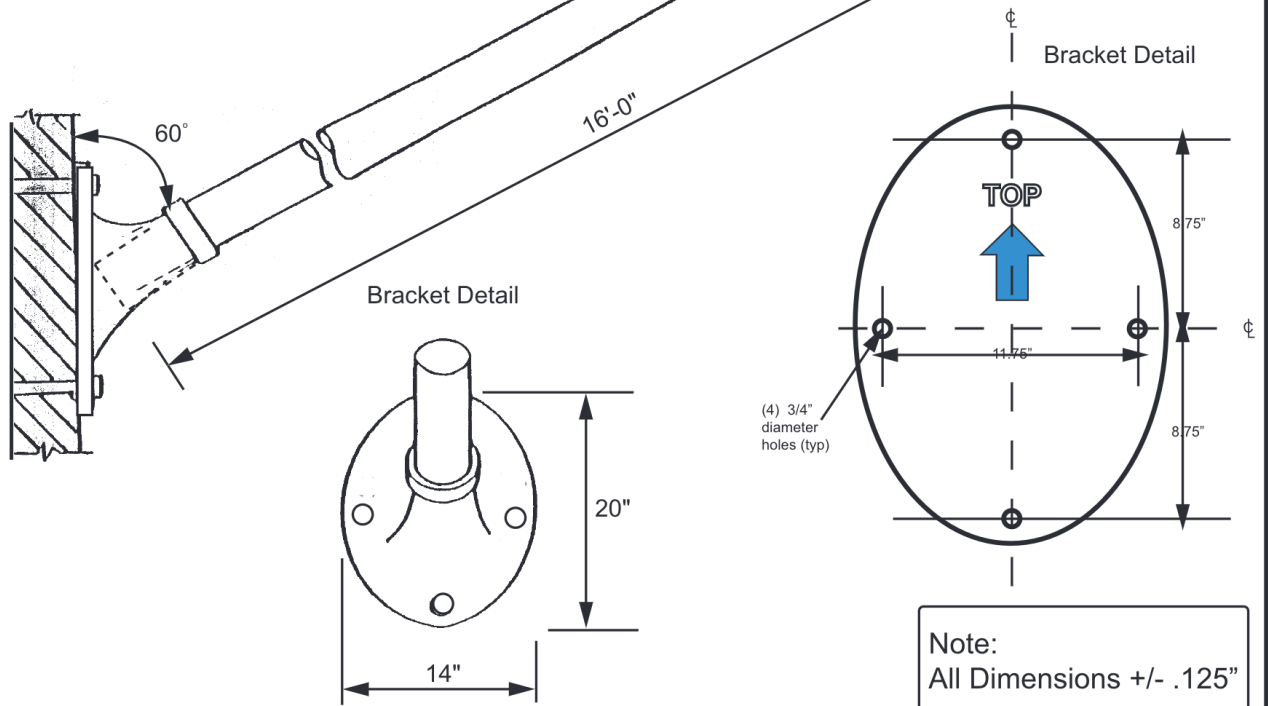


Model ECO16



Stationary Truck Detail
Cast Aluminum body

4" - 14 gauge spun aluminum ball
gold anodized.
2-3/8" Cast aluminum stationary
truck (OT1).
One set of halyard, #8 poly
with (2) snaps



Note:
All Dimensions +/- .125"

Project:	Ground set tapered aluminum flagpole: ALLOY: 6063T6	FLAGS.COM	Date:
Location:	Exposed height: 16'-0"	Overall height: 16'-0"	Revision:
Architect:	Ship in 1 section	Butt diameter: 3-1/2"	1395 NW 17th Ave #112B
Contractor:	Top diameter: 2-3/8"	Wall thickness: .125	Delray Beach, FL 33445
Customer:	Finish: 100 grit polish		Job: