

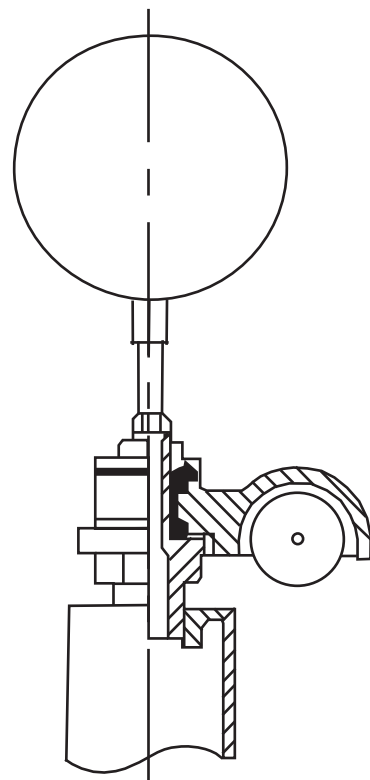
# Model ECXA60

10" - 14 gauge spun aluminum ball  
gold anodized

Single sheave truck, cast aluminum  
revolving, non-fouling type

2 Bronze swivel snaps with covers  
per halyard

1 Set of halyard: #10 poly



**Truck Detail**

Aluminum body  
Stainless steel ball bearings  
Aluminum sheave  
Cast aluminum spindle

1 - 9" Cast aluminum cleat

Aluminum flash collar

3000 PSI concrete

Hardwood wedges  
(supplied by others)

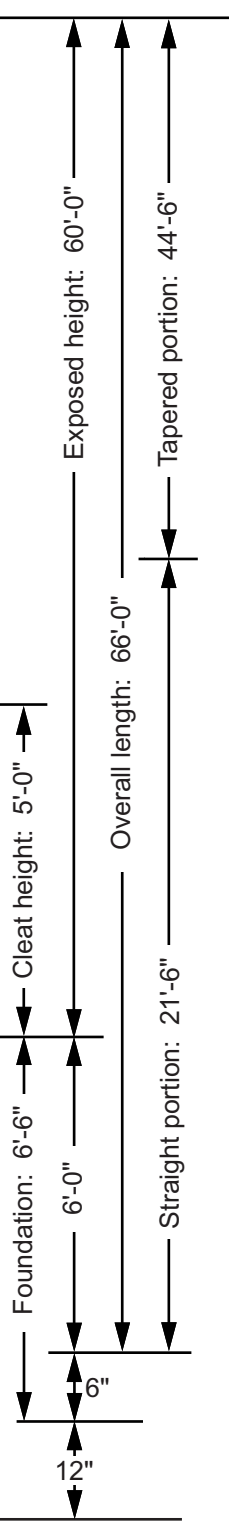
Dry sand tightly tamped  
after aligning pole

Foundation sleeve -16 ga  
hot dip galvanized steel

Steel centering wedges

1/4" Steel base plate

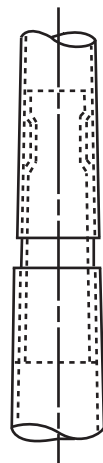
1/4" Steel support plate  
welded to grounding spike



All shafts with overall  
length of more than  
38'-6" are shipped in  
two sections.

Each section matched  
marked for field assembly.  
Exposed portion of jam  
sleeve must be **well  
lubricated** prior to  
assembly.

1-1/2" maximum shop  
gap allowed for field  
fitting (ram for tight joint)



Project:	Ground set tapered aluminum flagpole: ALLOY: 6063T6	FLAGS.COM	Date:
Location:	Exposed height: 60'-0"	Overall height: 66'-0"	Revision:
Architect:	Ship in 2 section	Butt diameter: 10"	1395 NW 17th Ave #112B
Contractor:	Top diameter: 4"	Wall thickness: .250"	Delray Beach, FL 33445
Customer:	Finish: 100 grit polish		Job: