

# Model ECXAP 25Y

5" - 14 gauge spun aluminum ball  
gold anodized

Single sheave truck, cast aluminum  
revolving, non-fouling type

2 Bronze swivel snaps with covers  
per halyard

3 Sets of halyard: #8 poly

6'-6" Yardarm

2" ends

3-1/2" center

Tapered portion: 11'-0"

Straight portion: 16'-0"

Pole length: 27'-0"

Overall length: 28'-0"

3 - 9" Cast aluminum cleat

Cleat height: 5'-0"

Foundation: 3'-6"

3'-0"

6"

12"

Aluminum flash collar

3000 PSI concrete

Hardwood wedges  
(supplied by others)

Dry sand tightly tamped  
after aligning pole

Foundation sleeve -16 ga  
hot dip galvanized steel

Steel centering wedges

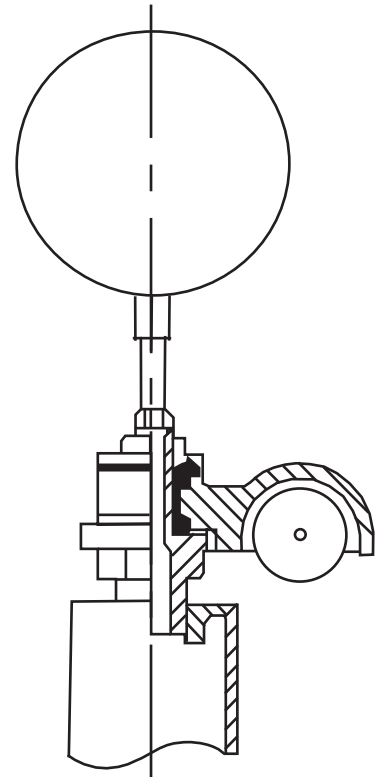
1/4" Steel base plate

1/4" Steel support plate  
welded to grounding spike

24"

12"

6"



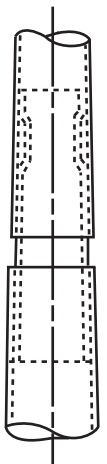
**Truck Detail**

Aluminum body  
Stainless steel ball bearings  
Aluminum sheave  
Cast aluminum spindle

All shafts with overall  
length of more than  
38'-6" are shipped in  
two sections.

Each section matched  
marked for field assembly.  
Exposed portion of jam  
sleeve must be **well  
lubricated** prior to  
assembly.

1-1/2" maximum shop  
gap allowed for field  
fitting (ram for tight joint)



Project:	Ground set tapered aluminum flagpole: ALLOY: 6063T6	FLAGS.COM	Date:
Location:	Exposed height: 25'-0"	Overall height: 28'-0"	1-800-858-8776
Architect:	Ship in 1 sections	Butt diameter: 5"	1395 NW 17th Ave #112B
Contractor:	Top diameter: 3"	Wall thickness: .156"	Delray Beach, FL 33445
Customer:	Finish: 100 grit polish		Job: