

# Model ECA40

8" - 14 gauge spun aluminum ball  
gold anodized

Single sheave truck, cast aluminum  
revolving, non-fouling type

2 Swivel snaps with covers  
per halyard

1 Set of halyard: #10 poly

1 - 9" Cast aluminum cleat

Aluminum flash collar

3000 PSI concrete

Hardwood wedges  
(supplied by others)

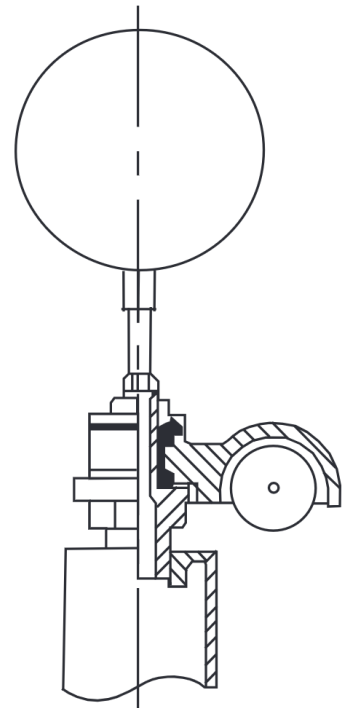
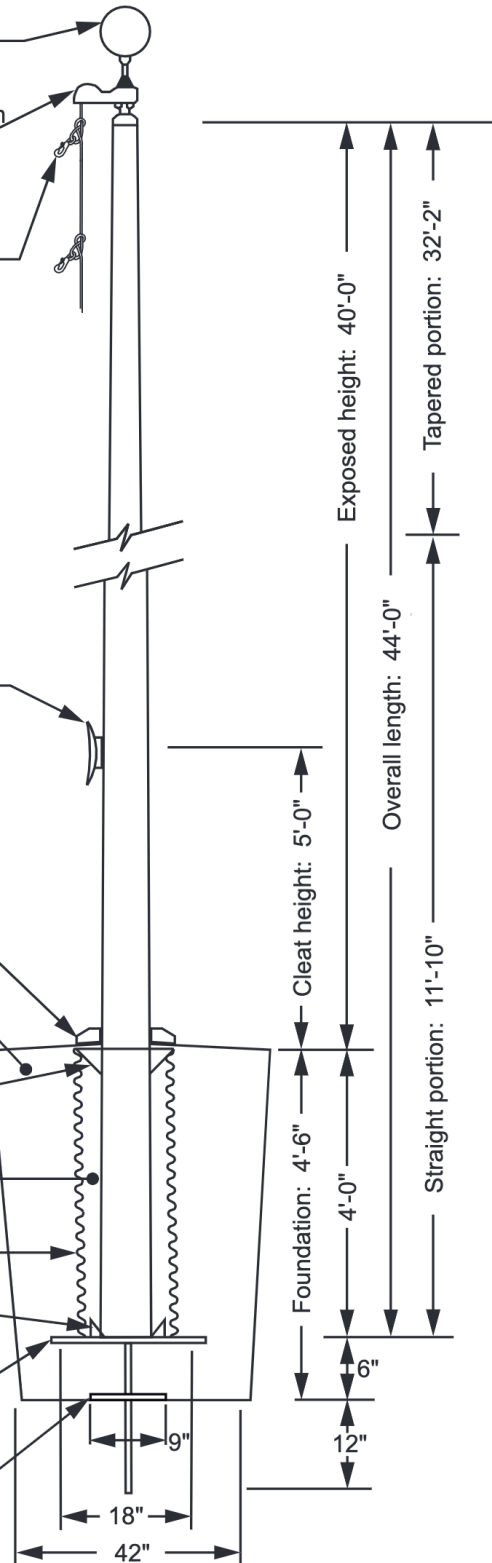
Dry sand tightly tamped  
after aligning pole

Foundation sleeve -16 ga  
hot dip galvanized steel

Steel centering wedges

1/4" Steel base plate

1/4" Steel support plate  
welded to grounding  
spike



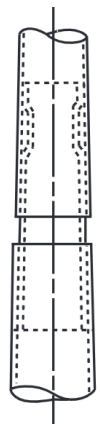
### Truck Detail

Aluminum body  
Stainless steel ball bearings  
Aluminum sheave  
Cast aluminum spindle

All shafts with overall  
length of more than  
38'-6" are shipped in  
two sections.

Each section matched  
marked for field assembly.  
Exposed portion of jam  
sleeve must be **well  
lubricated** prior to  
assembly.

1-1/2" maximum shop  
gap allowed for field  
fitting (ram for tight joint)



|             |   |                        |                        |
|-------------|---|------------------------|------------------------|
| Project:    | Ground set tapered aluminum flagpole: ALLOY: 6063T6 | FLAGS.COM              | Date:                  |
| Location:   | Exposed height: 40'-0"                              | Overall height: 44'-0" | 1-800-858-8776         |
| Architect:  | Ship in 2 sections                                  | Butt diameter: 8"      | 1395 NW 17th Ave #112B |
| Contractor: | Top diameter: 3-1/2"                                | Wall thickness: .156"  | Delray Beach, FL 33445 |
| Customer:   | Finish: 100 grit polish                             |                        | Job:                   |